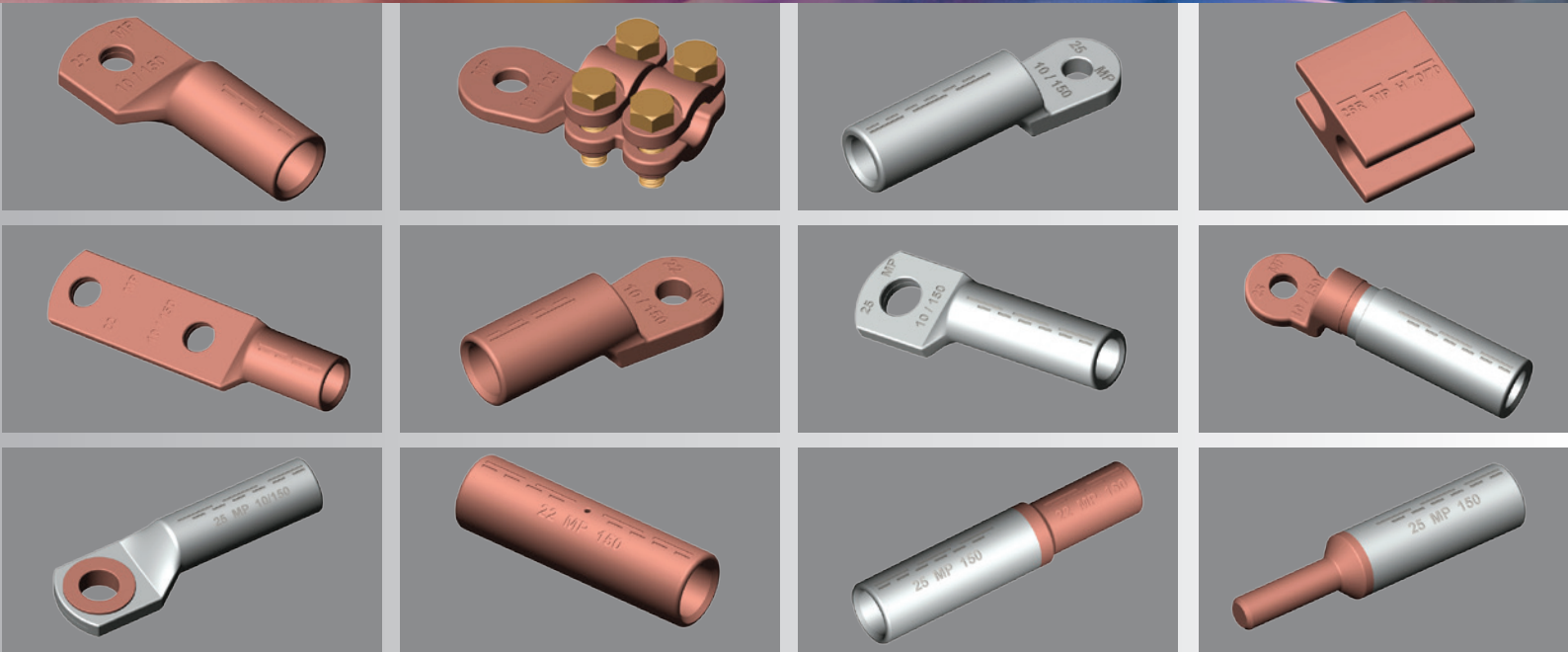


KABELSKI SPOJNI PRIBOR
CABLE CONNECTION EQUIPMENT

1



2021.

Objavom ovog izdanja sva prethodna izdanja ovog kataloga postaju nevažeća.

Metal Product zadržava pravo izmjene podataka prema zahtjevima tehnološkog napretka i bez prethodne najave.

Informacije o proizvodima koji nisu uvršteni u ovaj katalog mogu se dobiti na poseban upit.

Prilikom narudžbe potrebno je definirati:

- kataloški broj proizvoda,
- tip proizvoda,
- potrebnu količinu

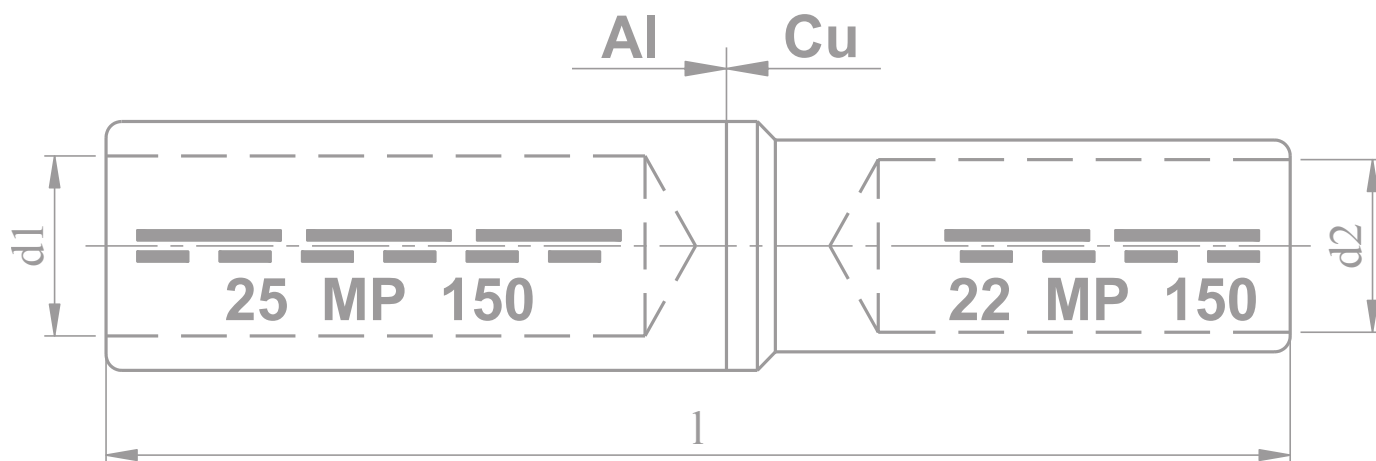
Upon publication of this catalogue, all previous issues become invalid.

Metal Product to change as required by technical progress.

Information about products not enlisted in this issue, can and will be submitted upon request.

When ordering, please specify:

- Catalogue number,
- Product type,
- Quantity



Zagreb, 01/2017

Objavom izdanja ovog kataloga K01 sva prethodna izdanja postaju nevažeća.

METAL PRODUCT d.o.o. zadržava pravo izmjene podataka prema zahtjevima tehnološkog napretka i bez prethodne najave.

Informacije o proizvodima koji nisu uvršteni u ovaj katalog mogu se dobiti na poseban upit.

Prilikom narudžbe potrebno je definirati

- Kataloški broj proizvoda
- Tip proizvoda
- Potrebnu količinu

Upon publication of this catalogue K01, all previous issues become invalid.

The right to change data at any time without notice, is reserved as part of METAL PRODUCT d.o.o. policy of continuous development and improvement.

All additional product information not enlisted in this issue can be submitted upon request.

When ordering, please specify:

- Catalogue number
- Product type
- Quantity

Tvornica za proizvodnju elektroopreme METAL PRODUCT d.o.o. osnovana je 1967. godine i već 50 godina proizvodi ovjesnu i spojnu opremu za električne mreže niskog i srednjeg napona, kabelski spojni pribor i metalne konstrukcije prema zahtjevima kupaca.

Dugogodišnje iskustvo u razvoju i proizvodnji navedene opreme jamstvo su kvalitete, funkcionalnosti i pouzdanosti te opreme u pogonu.

Nivo kvalitete osigurava se u skladu s odredbama međunarodne norme ISO 9001:2000, što podrazumijeva puni angažman svih sudionika u procesu rada.

Održivi razvoj i zaštitu okoliša METAL PRODUCT osigurava primjenom međunarodnog standarda ISO 14001, te tako daje svoj puni doprinos zaštiti okoliša u interesu svih nas i budućih generacija.

Vlastiti razvoj proizvoda i tehnološka samostalnost, te suradnja s visokoobrazovnim ustanovama i institutima, profilirali su METAL PRODUCT kao tvrtku od povjerenja za proizvodnju sljedeće opreme:

- Kabelski spojni pribor za: niski, srednji i visoki napon (kabelske stopice i čahure u: Cu, Al i Al/Cu izvedbi za presjeke od 6 - 1000 mm²)
- Kabelski pribor za energetske mreže napona 1 kV u suradnji s firmom Tyco Electronics Raychem
- Spojna i ovjesna oprema za NN nadzemne mreže s izoliranim vodičima u snopu
- Spojna i ovjesna oprema za NN neizolirane nadzemne mreže
- Spojna i ovjesna oprema za SN neizolirane i poluizolirane (PAS) nadzemne mreže
- Izolatorski lanci 24 kV
- Rastavljači i rastavne sklopke 24 kV za vanjsku montažu u suradnji s ABB-om

Established in 1967, METAL PRODUCT d.o.o., has been manufacturing electrical equipment, suspension and jointing equipment for low and middle voltage electric power supply systems, as well as cable connection equipment and custom made metal constructions for 50 years.

With its long experience in development and production of the equipment METAL PRODUCT guarantees the best quality, functionality and reliability of purchased equipment.

The quality provided is in accordance with the ISO 9001:2000 international standard, which implies the full engagement of all participants in the production process.

By applying the ISO 14001 international standard, METAL PRODUCT provides sustainable development and environmental protection, hence contributing the global environmental protection.

Own product development and technological independence as well as the cooperation with organizations of higher education and institutions have made METAL PRODUCT a trustworthy company producing the following equipment:

- *Cable connection equipment for low-, middle- and high-voltage (cable lugs and connectors in Cu, Al and Al/Cu variante for diameter range 6 - 1000 mm²)*
- *Cable equipment for 1 kV voltage power supply network in cooperation with Tyco Electronics Raychem company*
- *Cable suspension and jointing equipment i.e. connectors and fittings for low-voltage insulated overhead lines*
- *Cable suspension and jointing equipment i.e. connectors and fittings for low-voltage bare overhead lines*
- *Cable suspension and jointing equipment for bare and half-insulated MV overhead electroenergetic networks*
- *Insulator strings 24 kV*
- *Switch and switch chamber 24 kV for outer assembling in cooperation with ABB company*

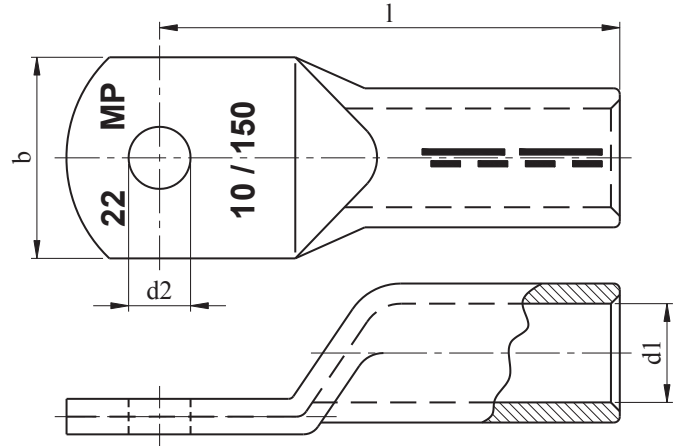


	Stranica <i>Page</i>
■ Bakrene kabelaške cijevne stopice, prema DIN 46235 <i>Copper compression cable lugs, acc. to DIN 46235</i>	4 - 5
■ Bakrene kabelaške cijevne kutne stopice, prema DIN 46235 <i>Copper compression cable lugs angle type, acc. to DIN 46235</i>	6 - 7
■ Bakrene kabelaške cijevne stopice s dvije rupe <i>Copper compression cable lugs with two mounting holes</i>	8
■ Bakrene kabelaške cijevne stopice s dvije ovalne rupe <i>Copper compression cable lugs with two oval mounting holes</i>	9
■ Bakrene kabelaške stopice, uzdužno vodonepropusne <i>Copper compression cable lugs, longitudinally sealed</i>	10 - 11
■ Bakrene kabelaške stopice vijčane s 2 MS vijka <i>Copper cable lugs clamping type with 2 MS screws</i>	12
■ Bakrene kabelaške stopice vijčane s 2 čelična vijka <i>Copper cable lugs clamping type with 2 steel screws</i>	13
■ Bakrene kabelaške stopice vijčane s 4 MS vijka <i>Copper cable lugs clamping type with 4 MS screws</i>	14
■ Bakrene kabelaške stopice vijčane s 4 čelična vijka <i>Copper cable lugs clamping type with 4 steel screws</i>	15
■ Aluminijske kabelaške cijevne stopice <i>Aluminium compression cable lugs</i>	16 - 17
■ Aluminijske kabelaške stopice, uzdužno vodonepropusne, prema DIN 46329 <i>Aluminium compression cable lugs, longitudinally sealed, acc. to DIN 46329</i>	18 - 19
■ Aluminijsko-bakrene kabelaške stopice, uzdužno vodonepropusne <i>Aluminium-copper compression cable lugs, longitudinally sealed</i>	20 - 21
■ Aluminijsko-bakrene kabelaške cijevne stopice s bakrenim prstenom <i>Aluminium-copper compression cable lugs-tube type with copper eye</i>	22
■ Aluminijsko-bakreni kabelaški priključni svornjaci, 1 - 10 kV <i>Aluminium-copper pin-type compression terminals, 1 - 10 kV</i>	23
■ Bakreni kabelaški priključni svornjaci s prihvatom izolacije, 1 - 10 kV <i>Copper pin-type compression terminals with insulation grip, 1 - 10 kV</i>	24
■ Aluminijski kabelaški priključni svornjaci s prihvatom izolacije, 1 - 10 kV <i>Aluminium pin-type compression terminals with insulation grip, 1 - 10 kV</i>	25
■ Bakreni kabelaški priključni svornjaci, 10 - 35 kV <i>Copper pin-type compression terminals, 10 - 35 kV</i>	26
■ Aluminijski kabelaški priključni svornjaci, 10-35 kV <i>Aluminium pin-type compression terminals, 10-35 kV</i>	27
■ Bakrene kabelaške spojne čahure, 1 - 10 kV, prema DIN 46267, dio 1 <i>Copper compression sleeves, 1 - 10 kV, acc. to DIN 46267, part 1</i>	28
■ Bakrene kabelaške spojne čahure, barijerne, 1 - 10 kV, prema DIN 46267, dio 1 <i>Copper compression sleeves, with blind hole, 1 - 10 kV, acc. to DIN 46267, part 1</i>	29
■ Bakrene kabelaške redukcijske spojne čahure, 1 – 10 kV, prema DIN 46267, dio 1 <i>Copper reduction compression sleeves, 1 – 10 kV, acc. to DIN 46267, part 1</i>	30 - 31

	Stranica Page
■ Alumijske kabske spojne ćahure, 1 – 10 kV, prema DIN 46267, dio 2 <i>Aluminium compression sleeves, 1 – 10 kV, acc. to DIN 46267, part 2</i>	32
■ Alumijske kabske spojne ćahure, barijerne, 1 - 10 kV, prema DIN 46267, dio 2 <i>Aluminium compression sleeves, with blind hole, 1 - 10 kV, acc. to DIN 46267, part 2</i>	33
■ Alumijske kabske redukcijske spojne ćahure, 1 – 10 kV <i>Aluminium reduction compression sleeves, 1 – 10 kV</i>	34 - 35
■ Alumijsko-bakrene kabske spojne ćahure, 1 - 10 kV <i>Aluminium-copper compression sleeves, 1 - 10 kV</i>	36 - 37
■ Bakrene kabske spojne ćahure, 10 - 35 kV <i>Copper compression sleeves, 10 - 35 kV</i>	38
■ Bakrene kabske spojne ćahure, barijerne, 10 - 35 kV <i>Copper compression sleeves, with blind hole, 10 - 35 kV</i>	39
■ Bakrene kabske redukcijske spojne ćahure, 10 - 35 kV <i>Copper reduction compression sleeves, 10 - 35 kV</i>	40 - 41
■ Alumijske kabske spojne ćahure, 10 - 35 kV <i>Aluminium compression sleeves, 10 - 35 kV</i>	42
■ Alumijske kabske spojne ćahure, barijerne, 10 - 35 kV <i>Aluminium compression sleeves, with blind hole, 10 - 35 kV</i>	43
■ Alumijske kabske redukcijske spojne ćahure, 10 - 35 kV <i>Aluminium reduction compression sleeves, 10 - 35 kV</i>	44 - 45
■ Alumijsko-bakrene kabske spojne ćahure, 10 – 35 kV <i>Aluminium-copper compression sleeves, 10 – 35 kV</i>	46 - 47
■ Bakrene T-spojnice <i>Copper T-connectors</i>	48
■ Bakrene X-spojnice <i>Copper X-connectors</i>	49
■ Bakrene kompresijske odvojne stezaljke, H-forma <i>Copper compression tap connectors, H-shape</i>	50
■ Dimenzije, mehanićka i elektrićna svojstva vodića <i>Dimensions, mechanical and electrical properties of conductors</i>	51
■ Dimenzije jednoćićnih okruglih alumijskih i bakrenih vodića <i>Dimensions of aluminium and copper round solid conductors</i>	52
■ Dimenzije višecićnih okruglih alumijskih i bakrenih vodića <i>Dimensions of aluminium and copper round stranded conductors</i>	53
■ Dimenzije alumijskih jednoćićnih sektorskih vodića <i>Dimensions of aluminium sector solid shaped conductors</i>	54
■ Dimenzije alumijskih i bakrenih višecićnih sektorskih vodića <i>Dimensions of aluminium and copper stranded sector shaped conductors</i>	55
■ Momenti pritezanja vijaka u Nm <i>Permissible torque in Nm</i>	56

Bakrene kabelske cijevne stopice, prema DIN 46235
Copper compression cable lugs, acc. to DIN 46235

Cu 6 – 630 mm²



- Ispitano prema: HRN EN 61238 / Tested according to: IEC 61238
- Materijal: Bakar / Material: Copper EN 13600
- Vanjska površina: Galvanski pokositrena / External surface: Tin-plated
- Za bakrenu užad i vodiče prema / For copper conductors acc. to: DIN 48201, VDE 0295, IEC 60228

Kat. br. Cat. No.	Tip Type	Nazivni presjek vodiča mm ² Nominal cross section mm ²		Vijak Bolt	Promjer vodiča Conductor diameter Ø mm	Dimenzije mm Dimensions mm				Alat br. Tool No.	Broj prešanja No. of compressions		Masa kg Mass kg 100 kom 100 pcs	Pakiranje Package kom pcs
		OV/SV* RM/SM*	OJ/SJ RE/SE			b	d1	d2	l		meh. mech.	hidr. hydr.		
MP102002	KSB-C-6/6	6	6	M6	2,9 - 3,3	10	3,8	6,5	24	5	2	-	0,60	100
MP102004	KSB-C-6/8**			M8		8,5								
MP102006	KSB-C-10/6	10	10	M6	3,7 - 4,2	11	4,5	6,5	27	6	2	-	0,60	100
MP102008	KSB-C-10/8			M8		8,5								
MP102005	KSB-C-10/10**			M10		10,5								
MP102010	KSB-C-16/6	16	16	M6	4,6 - 5,3	13	5,5	6,5	36	8	2	-	1,50	100
MP102012	KSB-C-16/8			M8		8,5								
MP102014	KSB-C-16/10			M10		10,5								
MP102015	KSB-C-16/12**			M12		12,7								
MP102016	KSB-C-25/6	25	35	M6	5,7 - 6,6	14	7,0	6,5	38	10	2	-	2,20	50
MP102018	KSB-C-25/8			M8		8,5								
MP102020	KSB-C-25/10			M10		10,5								
MP102022	KSB-C-25/12			M12		12,7								
MP102024	KSB-C-35/8			M8		8,5								
MP102026	KSB-C-35/10	35	50	M10	6,7 - 7,9	19	8,2	10,5	42	12	2	1	3,50	50
MP102028	KSB-C-35/12			M12		12,7								
MP102030	KSB-C-50/8			M8		8,5								
MP102032	KSB-C-50/10	50	70	M10	7,8 - 9,1	22	10,0	10,5	52	14	3	1	4,48	25
MP102034	KSB-C-50/12			M12		12,7								
MP102035	KSB-C-50/16			M16		17,0								

* Sektorske vodiče zaokružiti pripadajućim alatima / * Sector shaped conductors must be rounded with round-forming dies
** Nije prema standardu / ** Not standardised

Cu 6 – 630 mm²

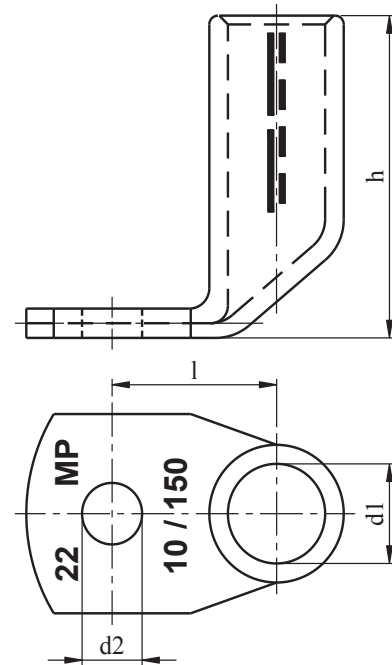
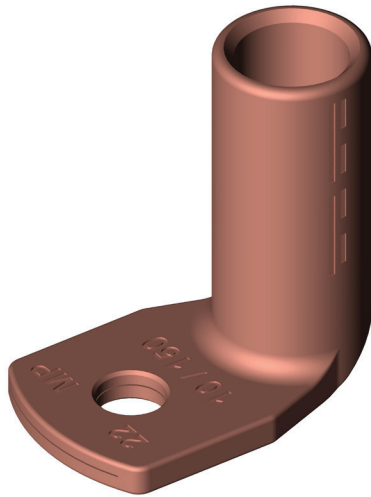
Bakrene kabliske cijevne stopice, prema DIN 46235
Copper compression cable lugs, acc. to DIN 46235

Kat. br. Cat. No.	Tip Type	Nazivni presjek vodiča mm ² Nominal cross section mm ²		Vijak Bolt	Promjer vodiča Conductor diameter Ø mm	Dimenzije mm Dimensions mm				Alat br. Tool No.	Broj prešanja No. of compressions		Masa kg Mass kg 100 kom 100 pcs	Pakiranje Package kom pcs
		OV/SV* RM/SM*	OJ/SJ RE/SE			b	d1	d2	l		meh. mech.	hidr. hydr.		
MP102036	KSB-C-70/8			M8		24		8,5					5,92	
MP102038	KSB-C-70/10	70	95	M10	9,4 - 11,0	24	11,5	10,5	55	16	3	1	6,02	25
MP102040	KSB-C-70/12			M12			12,7						5,89	
MP102042	KSB-C-70/16			M16			17,0						6,13	
MP102043	KSB-C-95/8			M8		28		8,5				9,21		
MP102044	KSB-C-95/10	95	120	M10	11,0 - 12,9	28	13,5	10,5	65	18	4	2	8,97	25
MP102046	KSB-C-95/12			M12			12,7						8,62	
MP102048	KSB-C-95/16			M16			17,0						9,00	
MP102051	KSB-C-120/8**			M8		32		8,5				11,40		
MP102050	KSB-C-120/10	120	150	M10	12,4 - 14,5	32	15,5	10,5	70	20	4	2	11,40	20
MP102052	KSB-C-120/12			M12			12,7						11,30	
MP102054	KSB-C-120/16			M16			17,0						11,25	
MP102056	KSB-C-150/10			M10		34		10,5				16,40		
MP102058	KSB-C-150/12	150	185	M12	13,8 - 16,2	34	17,0	12,7	78	22	4	2	16,30	20
MP102060	KSB-C-150/16			M16			17,0						16,20	
MP102062	KSB-C-150/20			M20			21,0						15,90	
MP102064	KSB-C-185/10			M10		37		10,5				19,00		
MP102066	KSB-C-185/12	185	240	M12	15,4 - 18,0	37	19,0	12,7	82	25	4	2	18,10	20
MP102068	KSB-C-185/16			M16			17,0						18,75	
MP102 070	KSB-C-185/20			M20			21,0						18,70	
MP112137	KSB-C-240/8**			M8		42		8,5				27,20		
MP102072	KSB-C-240/10**			M10		42		10,5				27,20		
MP102074	KSB-C-240/12	240	300	M12	17,6 - 20,6	42	21,5	12,7	92	28	-	2	27,00	10
MP102076	KSB-C-240/16			M16			17,0						27,40	
MP102078	KSB-C-240/20			M20			21,0						26,90	
MP102080	KSB-C-300/12**			M12		48		12,7				33,00		
MP102082	KSB-C-300/16	300	400	M16	19,8 - 23,1	48	24,5	17,0	100	32	-	2	32,95	5
MP102084	KSB-C-300/20			M20			21,0						33,30	
MP102086	KSB-C-400/16			M16			17,0						68,60	
MP102088	KSB-C-400/20	M20		21,0		65,40								
MP102092	KSB-C-500/16**			M16		60	31,0	17,0	125	42	-	3	83,30	1
MP102094	KSB-C-500/20	M20		21,0		81,60								
MP112156	KSB-C-630/12			M12		64		12,7				81,00		
MP112112	KSB-C-630/16	630		M16	29,3 - 33,2	64	34,5	17,0	135	44	-	3	79,40	1
MP112113	KSB-C-630/20			M20			21,0						77,90	

* Sektorske vodiče zaokružiti pripadajućim alatima / * Sector shaped conductors must be rounded with round-forming dies
** Nije prema standardu / ** Not standardised

Bakrene kabelske cijevne kutne stopice, prema DIN 46235
Copper compression cable lugs angle type, acc. to DIN 46235

Cu 16 – 300 mm²



- Ispitano prema: HRN EN 61238 / Tested according to: IEC 61238
- Materijal: Bakar / Material: Copper EN 13600
- Vanjska površina: Galvanski pokositrena / External surface: Tin-plated
- Za bakrenu užad i vodiče prema / For copper conductors acc. to: DIN 48201, VDE 0295, IEC 60228

Kat. br. Cat. No.	Tip Type	Nazivni presjek vodiča mm ² Nominal cross section mm ²		Vijak Bolt	Promjer vodiča Conductor diameter Ø mm	Dimenzije mm Dimensions mm				Alat br. Tool No.	Broj prešanja No. of compressions		Masa kg Mass kg 100 kom 100 pcs	Pakiranje Package kom pcs	
		OV/SV* RM/SM*	OJ/SJ RE/SE			b	d1	d2	l		h	meh. mech.			hidr. hydr.
MP102400	KSB-L-16/6			M6		13		6,5	17				1,30		
MP102402	KSB-L-16/8	16	16	M8	4,6 - 5,3	13	5,5	8,5	17	28	8	2	-	1,30	50
MP102404	KSB-L-16/10			M10		17		10,5	17				1,40		
MP102408	KSB-L-25/6			M6		14		6,5	17				1,70		
MP102410	KSB-L-25/8	25	35	M8	5,7 - 6,6	16	7,0	8,5	17	28	10	2	-	1,70	50
MP102412	KSB-L-25/10			M10		17		10,5	20				2,00		
MP102414	KSB-L-25/12			M12		19		12,7	20				1,90		
MP102416	KSB-L-35/8			M8		17		8,5	20				3,80		
MP102418	KSB-L-35/10	35	50	M10	6,7 - 7,9	19	8,2	10,5	20	33	12	2	1	3,80	50
MP102420	KSB-L-35/12			M12		21		12,7	22				3,70		
MP102422	KSB-L-50/8			M8		20		8,5	26				5,00		
MP102424	KSB-L-50/10	50	70	M10	7,8 - 9,1	22	10,0	10,5	26	35	14	3	1	4,80	25
MP102426	KSB-L-50/12			M12		24		12,7	26				4,40		
MP102428	KSB-L-50/16			M16		28		17,0	30				4,40		

* Sektorske vodiče zaokružiti pripadajućim alatima / * Sector shaped conductors must be rounded with round-forming dies

Cu 16 – 300 mm²

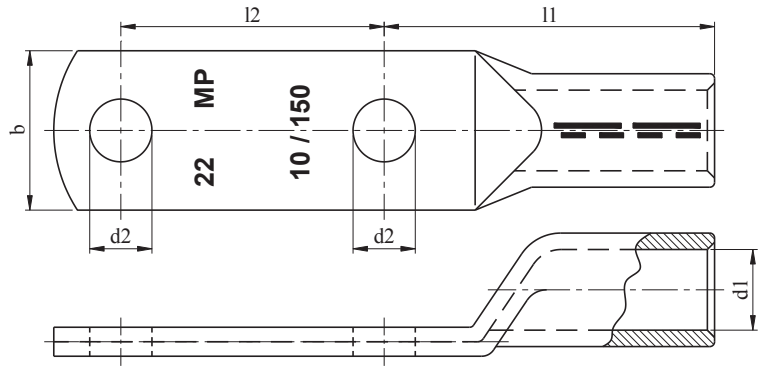
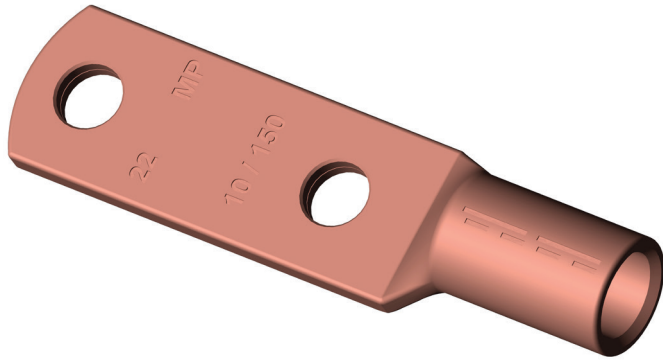
Bakrene kabelske cijevne kutne stopice, prema DIN 46235
Copper compression cable lugs angle type, acc. to DIN 46235

Kat. br. Cat. No.	Tip Type	Nazivni presjek vodiča mm ² Nominal cross section mm ²		Vijak Bolt	Promjer vodiča Conductor diameter Ø mm	Dimenzije mm Dimensions mm					Alat br. Tool No.	Broj prešanja No. of compressions		Masa kg Mass kg 100 kom 100 pcs	Pakiranje Package kom pcs	
		OV/SV* RM/SM*	OJ/SJ RE/SE			b	d1	d2	l	h		meh. mech.	hidr. hydr.			
MP102430	KSB-L-70/8			M8		24	8,5	27						6,50		
MP102432	KSB-L-70/10	70	95	M10	9,4 - 11,0	24	11,5	10,5	27	36	16	3	1	6,70	25	
MP102434	KSB-L-70/12			M12		24		12,7	29							6,40
MP102436	KSB-L-70/16			M16		30		17,0	32							5,70
MP102438	KSB-L-95/10			M10		28	10,5	30					10,30			
MP102440	KSB-L-95/12	95	120	M12	11,0 - 12,9	28	13,5	12,7	30	45	18	4	2	9,70	25	
MP102442	KSB-L-95/16			M16		32		17,0	34	9,80						
MP102446	KSB-L-120/10			M10		32		10,5	35	13,00						
MP102448	KSB-L-120/12	120	150	M12	12,4 - 14,5	32	15,5	12,7	38	50	20	4	2	12,80	20	
MP102450	KSB-L-120/16			M16		38		17,0	40	12,70						
MP102454	KSB-L-150/10			M10		34		10,5	34	18,40						
MP102456	KSB-L-150/12	150	-	M12	13,8 - 16,2	34	17,0	12,7	34	56	22	4	2	18,60	20	
MP102458	KSB-L-150/16			M16		34		17,0	36							17,90
MP102460	KSB-L-150/20			M20		40		21,0	38							18,50
MP102462	KSB-L-185/10			M10		37	10,5	38					20,10			
MP102464	KSB-L-185/12	185	-	M12	15,4 - 18,0	37	19,0	12,7	38	60	25	4	2	20,70	20	
MP102466	KSB-L-185/16			M16		37		17,0	38							20,50
MP102468	KSB-L-185/20			M20		40		21,0	40							20,50
MP102470	KSB-L-240/12			M12		42	12,7	38					31,70			
MP102472	KSB-L-240/16	240	-	M16	17,6 - 20,6	42	21,5	17,0	38	74	28	-	2	31,70	10	
MP102474	KSB-L-240/20			M20		45		21,0	42	31,10						
MP102478	KSB-L-300/16			M16		48		17,0	42	45,00						
MP102480	KSB-L-300/20	300	-	M20	19,8 - 23,1	48	24,5	21,0	45	86	32	-	2	45,70	5	

* Sektorske vodiče zaokružiti pripadajućim alatima / * Sector shaped conductors must be rounded with round-forming dies

Bakrene kabelske cijevne stopice s dvije rupe
Copper compression cable lugs with two mounting holes

Cu 25 – 240 mm²



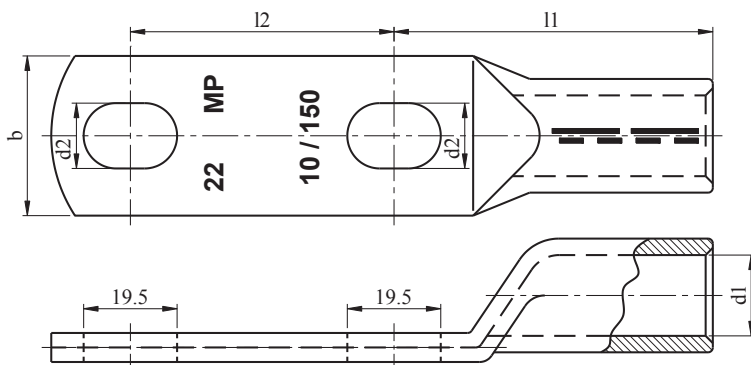
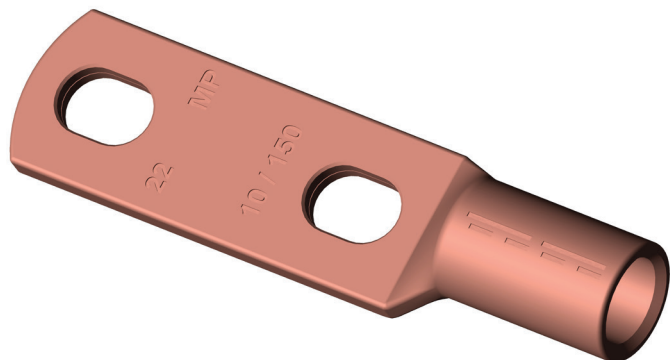
- Ispitano prema: HRN EN 61238 / Tested according to: IEC 61238
- Materijal: Bakar / Material: Copper EN 13600
- Vanjska površina: Galvanski pokositrena / External surface: Tin-plated
- Za bakrenu užad i vodiče prema / For copper conductors acc. to: DIN 48201, VDE 0295, IEC 60228

Kat. br. Cat. No.	Tip Type	Nazivni presjek vodiča mm ² Nominal cross section mm ²		Vijak Bolt	Promjer vodiča Conductor diameter Ø mm	Dimenzije mm Dimensions mm					Alat br. Tool No.	Broj prešanja No. of compressions		Masa kg Mass kg 100 kom 100 pcs	Pakiranje Package kom pcs
		OV/SV* RM/SM*	OJ/SJ RE/SE			b	d1	d2	l1	l2		meh. mech.	hidr. hydr.		
MP112107	KSB-C-25/2x6-16	25	35	M6	5,7 - 6,6	13	7,0	6,5	36	16	10	2	-	3,40	25
MP112025	KSB-C-35/2x8-16	35	50	M8	6,7 - 7,9	17	8,2	8,5	42	16	12	2	1	4,30	25
MP112146	KSB-C-50/2x6-16	50	70	M6	7,8 - 9,1	22	10,0	6,5	52	22	14	3	1	5,80	25
MP112150	KSB-C-70/2x-16-40	70	95	M16	9,4 - 11,0	28	11,5	17,0	55	40	16	3	1	10,10	25
MP112083	KSB-C-95/2x-12-32	95	120	M12	11,0 - 12,9	28	13,5	13,0	65	32	18	4	2	12,60	25
MP112162	KSB-C-120/2x12-45	120	150	M12	12,4 - 14,5	32	15,5	13,0	70	45	20	4	2	18,30	20
MP112130	KSB-C-150/2x12-55	150	185	M12	13,8 - 16,2	34	17,0	13,0	70	55	22	4	2	26,40	20
MP112133	KSB-C-150/2x10-25	150	185	M10	13,8 - 16,2	34	17,0	10,5	77	25	22	4	2	20,90	20
MP112004	KSB-C-185/2x10-32	185	240	M10	15,4 - 18,0	37	19,0	10,5	75	32	25	4	2	25,50	20
MP112127	KSB-C-185/2x10-22	185	240	M10	15,4 - 18,0	37	19,0	10,5	75	22	25	4	2	23,50	20
MP112077	KSB-C-185/2x12-32	185	240	M12	15,4 - 18,0	37	19,0	13,0	75	32	25	4	2	25,10	20
MP112001	KSB-C-240/2x10-42	240	300	M10	17,6 - 20,6	42	21,5	10,5	100	42	28	-	2	38,30	20

* Sektorske vodiče zaokružiti pripadajućim alatima / * Sector shaped conductors must be rounded with round-forming dies

Cu 70 – 240 mm²

Bakrene kabelske cijevne stopice s dvije ovalne rupe
Copper compression cable lugs with two oval mounting holes



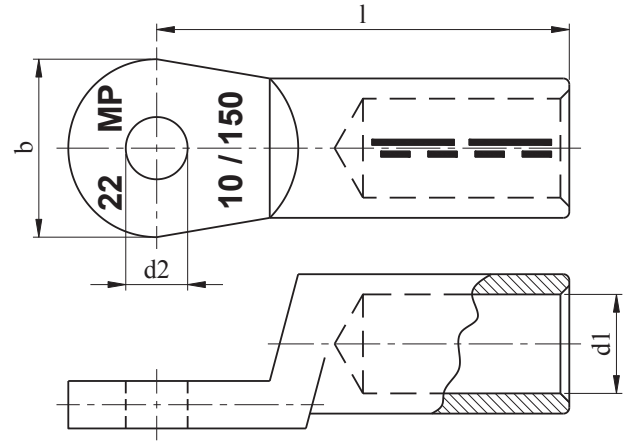
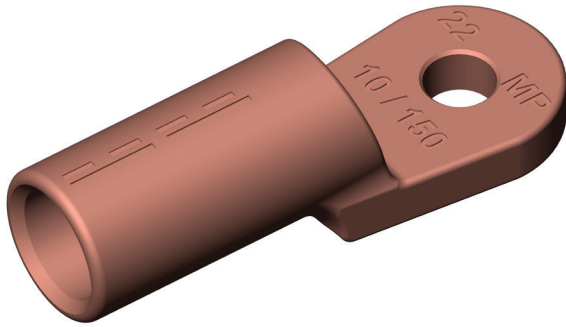
- Ispitano prema: HRN EN 61238 / Tested according to: IEC 61238
- Materijal: Bakar / Material: Copper EN 13600
- Vanjska površina: Galvanski pokositrena / External surface: Tin-plated
- Za bakrenu užad i vodiče prema / For copper conductors acc. to: DIN 48201, VDE 0295, IEC 60228

Kat. br. Cat. No.	Tip Type	Nazivni presjek vodiča mm ² Nominal cross section mm ²			Vijak Bolt	Promjer vodiča Conductor diameter Ø mm	Dimenzije mm Dimensions mm					Alat br. Tool No.	Broj prešanja No. of compressions		Masa kg Mass kg 100 kom 100 pcs	Pakiranje Package kom pcs
		OV/SV* RM/SM*	OJ/SJ RE/SE	b			d1	d2	l1	l2	meh. mech.		hidr. hydr.			
MP112098	KSB-C-70/2x12-56-OV	70	95	M12	9,4 - 11,0	24	11,5	13,5	55	56	16	3	1	9,45	25	
MP112105	KSB-C-95/2x12-56-OV	95	120	M12	11,0 - 12,9	28	13,5	13,5	64	56	18	4	2	13,30	25	
MP112122	KSB-C-120/2x12-56-OV	120	150	M12	12,4 - 14,5	32	15,5	13,5	64	56	20	4	2	18,25	20	
MP112157	KSB-C-150/2x12-56-OV	150	185	M12	13,8 - 16,2	34	17,0	13,5	70	56	22	4	2	25,30	20	
MP112125	KSB-C-185/2x12-56-OV	185	240	M12	15,4 - 18,0	37	19,0	13,5	75	56	25	4	2	28,55	20	
MP112144	KSB-C-240/2x12-56-OV	240	300	M12	17,6 - 20,6	42	21,5	13,5	85	56	28	-	2	42,30	20	

* Sektorske vodiče zaokružiti pripadajućim alatima / * Sector shaped conductors must be rounded with round-forming dies

Bakrene kabelske stopice, uzdužno vodonepropusne
Copper compression cable lugs, longitudinally sealed

Cu 10 – 500 mm²



- Ispitano prema: HRN EN 61238 / Tested according to: IEC 61238
- Materijal: Bakar / Material: Copper EN 13600
- Vanjska površina: Galvanski pokositrena / External surface: Tin-plated
- Za bakrenu užad i vodiče prema / For copper conductors acc. to: DIN 48201, VDE 0295, IEC 60228

Kat. br. Cat. No.	Tip Type	Nazivni presjek vodiča mm ² Nominal cross section mm ²		Vijak Bolt	Promjer vodiča Conductor diameter Ø mm	Dimenzije mm Dimensions mm				Alat br. Tool No.	Broj prešanja No. of compressions		Masa kg Mass kg 100 kom 100 pcs	Pakiranje Package kom pcs
		OV/SV* RM/SM*	OJ/SJ RE/SE			b	d1	d2	l		meh. mech.	hidr. hydr.		
MP102206	KSB-K-10/6			M6		20		6,5					2,10	
MP102207	KSB-K-10/8			M8		20		8,5					2,10	
MP102208	KSB-K-10/10	10	10	M10	3,7 - 4,2	20	4,5	10,5	38	6	2	-	2,00	50
MP102209	KSB-K-10/12			M12		24		12,7					2,30	
MP102210	KSB-K-16/6			M6		20		6,5					2,10	
MP102212	KSB-K-16/8			M8		20		8,5					2,10	
MP102214	KSB-K-16/10	16	16	M10	4,6 - 5,3	20	5,5	10,5	38	8	2	-	2,00	50
MP102215	KSB-K-16/12			M12		24		12,7					2,30	
MP102216	KSB-K-25/6			M6		20		6,5					2,20	
MP102218	KSB-K-25/8			M8		20		8,5					2,20	
MP102220	KSB-K-25/10	25	35	M10	5,7 - 6,6	20	7,0	10,5	40	10	2	-	2,10	50
MP102222	KSB-K-25/12			M12		24		12,7					2,30	
MP102224	KSB-K-35/8			M8		20		8,5					2,80	
MP102226	KSB-K-35/10			M10		25		10,5					3,00	
MP102228	KSB-K-35/12	35	50	M12	6,7 - 7,9	25	8,2	12,7	40	12	2	1	3,10	50
MP102227	KSB-K-35/16			M16		25		17,0					3,10	
MP102230	KSB-K-50/8			M8		25		8,5					4,20	
MP102232	KSB-K-50/10			M10		25		10,5					4,20	
MP102234	KSB-K-50/12	50	70	M12	7,8 - 9,1	25	10,0	12,7	45	14	3	1	4,20	25
MP102231	KSB-K-50/16			M16		25		17,0					4,20	

* Sektorske vodiče zaokružiti pripadajućim alatima / * Sector shaped conductors must be rounded with round-forming dies

Cu 10 – 500 mm²

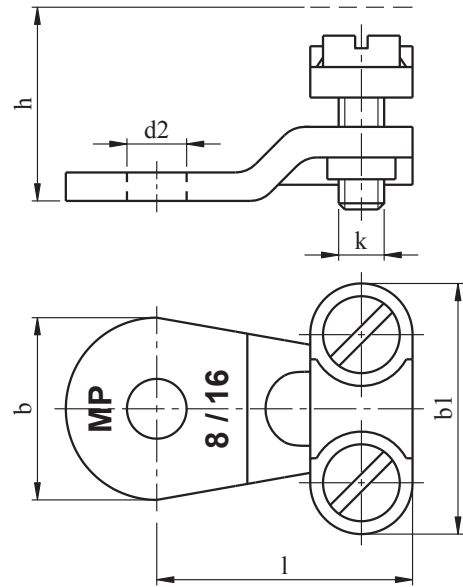
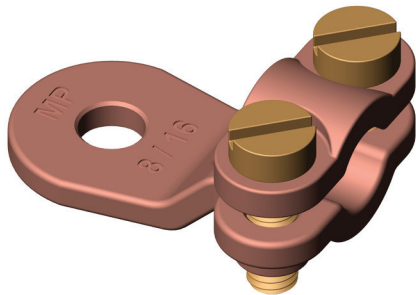
Bakrene kabliske stopice, uzdužno vodonepropusne
Copper compression cable lugs, longitudinally sealed

Kat. br. Cat. No.	Tip Type	Nazivni presjek vodiča mm ² Nominal cross section mm ²		Vijak Bolt	Promjer vodiča Conductor diameter Ø mm	Dimenzije mm Dimensions mm				Alat br. Tool No.	Broj prešanja No. of compressions		Masa kg Mass kg 100 kom 100 pcs	Pakiranje Package kom pcs
		OV/SV* RM/SM*	OJ/SJ RE/SE			b	d1	d2	l		meh. mech.	hidr. hydr.		
MP102236	KSB-K-70/8			M8		25		8,5					6,60	
MP102238	KSB-K-70/10			M10		25		10,5					6,60	
MP102240	KSB-K-70/12	70	95	M12	9,4 - 11,0	25	11,5	12,7	50	16	3	1	6,60	25
MP102242	KSB-K-70/16			M16		30		17,0					6,80	
MP102243	KSB-K-70/20			M20		32		21,0					6,80	
MP102245	KSB-K-95/8			M8		25		8,5					8,80	
MP102244	KSB-K-95/10	95	120	M10	11,0 - 12,9	25	13,5	10,5	57	18	4	2	9,00	25
MP102246	KSB-K-95/12			M12		25		12,7					9,00	
MP102248	KSB-K-95/16			M16		30		17,0					8,80	
MP102250	KSB-K-120/10			M10		30		10,5					12,40	
MP102252	KSB-K-120/12	120	150	M12	12,4 - 14,5	30	15,5	12,7	58	20	4	2	12,20	20
MP102254	KSB-K-120/16			M16		30		17,0					12,00	
MP102255	KSB-K-120/20			M20		30		21,0					11,80	
MP102256	KSB-K-150/10			M10		30		10,5					16,50	
MP102258	KSB-K-150/12	150	185	M12	13,8 - 16,2	30	17,0	12,7	65	22	4	2	16,50	20
MP102260	KSB-K-150/16			M16		30		17,0					16,50	
MP102262	KSB-K-150/20			M20		34		21,0					17,00	
MP102264	KSB-K-185/10			M10		30		10,5					19,30	
MP102266	KSB-K-185/12	185	240	M12	15,4 - 18,0	30	19,0	12,7	68	25	4	2	19,10	20
MP102268	KSB-K-185/16			M16		30		17,0					19,00	
MP102270	KSB-K-185/20			M20		34		21,0					19,00	
MP102272	KSB-K-240/10			M10		30		10,5	68				22,00	
MP102274	KSB-K-240/12	240	300	M12	17,6 - 20,6	30	21,5	12,7	68	28	-	2	22,10	10
MP102276	KSB-K-240/16			M16		30		17,0	68				21,90	
MP102278	KSB-K-240/20			M20		34		21,0	74				21,80	
MP102279	KSB-K-300/12			M12		38		12,7	86				36,80	
MP102280	KSB-K-300/16	300	400	M16	19,8 - 23,1	38	24,5	17,0	86	32	-	2	36,50	5
MP102281	KSB-K-300/20			M20		38		21,0	90				36,10	
MP102286	KSB-K-400/12			M16		43		17,0					51,00	
MP102288	KSB-K-400/16	400	-	M16	22,2 - 26,1	43	27,5	17,0	96	38	-	3	50,80	5
MP102289	KSB-K-400/20			M20		43		21,0					65,70	
MP102290	KSB-K-500/16	500	-	M16	25,7 - 29,2	43	31,0	17,0	110	42	-	3	77,90	1
MP102291	KSB-K-500/20			M20		43		21,0					77,50	

* Sektorske vodiče zaokružiti pripadajućim alatima / * Sector shaped conductors must be rounded with round-forming dies

Bakrene kabliske stopice vijčane s 2 MS vijka
Copper cable lugs clamping type with 2 MS screws

Cu 6 – 25 mm²

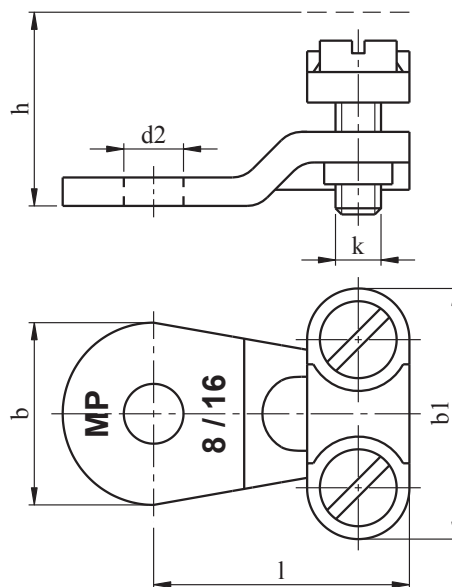
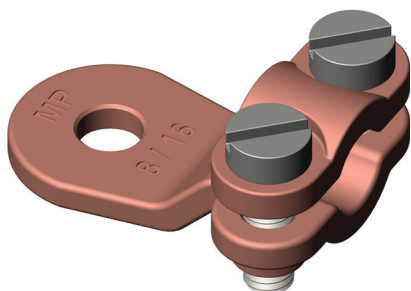


- **Materijal: Bakar / Material: Copper** EN 13600
- **Vijci: Mesing / Bolts: Brass** DIN 84 / DIN 933
- **Vanjska površina: Galvanski pokositrena / External surface: Tin-plated**
- **Za bakrenu užad i vodiče prema / For copper conductors acc. to:** DIN 48201, VDE 0295, IEC 60228

Kat. br. Cat. No.	Tip Type	Nazivni presjek vodiča mm ² Nominal cross section mm ²		Vijak Bolt	Promjer vodiča Conductor diameter Ø mm	Dimenzije mm Dimensions mm						Broj vijaka No. of screws	Masa kg Mass kg 100 kom 100 pcs	Pakiranje Package kom pcs
		OV/SV RM/SM	OJ/SJ RE/SE			b	d2	b1	l	h	k			
MP102806	KSV-10/6-MS			M6			6,5						1,20	
MP102808	KSV-10/8-MS	6	10	M8	2,9 - 4,2	15	8,5	17,5	24	10	M4	2	1,20	100
MP102809	KSV-10/10-MS			M10			10,5						1,20	
MP102810	KSV-16/6-MS			M6		15	6,5						1,30	
MP102812	KSV-16/8-MS	10	16	M8	3,7 - 5,3	15	8,5	20,5	27	14	M5	2	1,30	100
MP102814	KSV-16/10-MS			M10		19	10,5						1,50	
MP102816	KSV-25/6-MS			M6		15	6,5		30				2,90	
MP102818	KSV-25/8-MS	16	25	M8	4,6 - 6,6	15	8,5	25,0	30	16	M6	2	2,90	100
MP102820	KSV-25/10-MS			M10		19	10,5		32				3,20	

Cu 6 – 25 mm²

Bakrene kabelske stopice vijčane s 2 čelična vijka
Copper cable lugs clamping type with 2 steel screws

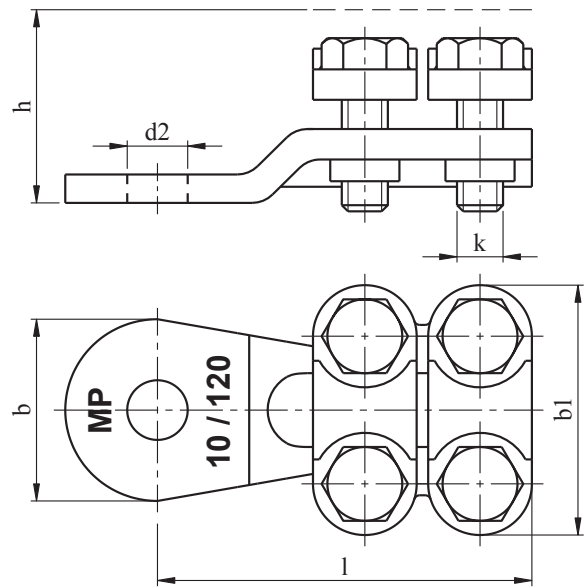
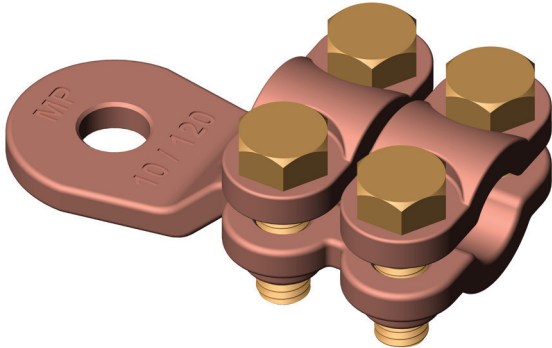


- **Materijal: Bakar / Material: Copper** EN 13600
- **Vijci: Čelik / Bolts: Steel** DIN 84 / DIN 933
- **Vanjska površina: Galvanski pokositrena / External surface: Tin-plated**
- **Za bakrenu užad i vodiče prema / For copper conductors acc. to: DIN 48201, VDE 0295, IEC 60228**

Kat. br. Cat. No.	Tip Type	Nazivni presjek vodiča mm ² Nominal cross section mm ²		Vijak Bolt	Promjer vodiča Conductor diameter Ø mm	Dimenzije mm Dimensions mm						Broj vijaka No. of screws	Masa kg Mass kg 100 kom 100 pcs	Pakiranje Package kom pcs
		OV/SV RM/SM	OJ/SJ RE/SE			b	d2	b1	l	h	k			
MP102606	KSV-10/6			M6			6,5						1,20	
MP102608	KSV-10/8	6	10	M8	2,9 - 4,2	15	8,5	17,5	24	10	M4	2	1,20	100
MP102609	KSV-10/10			M10			10,5						1,20	
MP102610	KSV-16/6			M6		15	6,5						1,30	
MP102612	KSV-16/8	10	16	M8	3,7 - 5,3	15	8,5	20,5	27	14	M5	2	1,30	100
MP102614	KSV-16/10			M10		19	10,5						1,50	
MP102616	KSV-25/6			M6		15	6,5		30				2,90	
MP102618	KSV-25/8	16	25	M8	4,6 - 6,6	15	8,5	25,0	30	16	M6	2	2,90	100
MP102620	KSV-25/10			M10		19	10,5		32				3,20	

Bakrene kabelske stopice vijčane s 4 MS vijka
Copper cable lugs clamping type with 4 MS screws

Cu 25 – 240 mm²

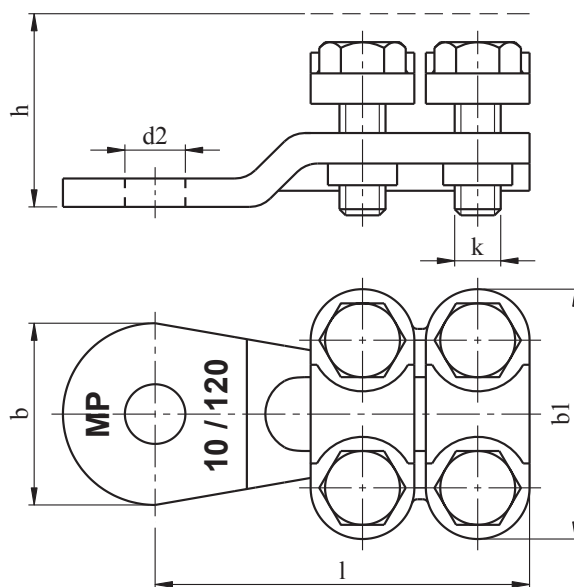
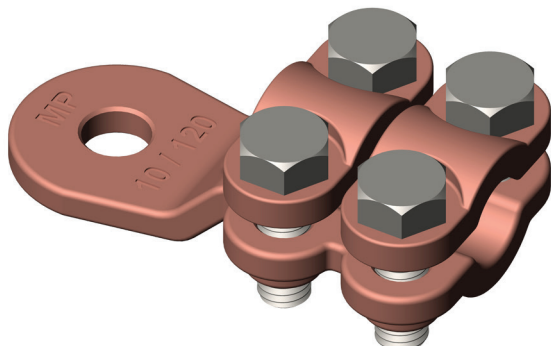


- **Materijal: Bakar / Material: Copper** EN 13600
- **Vijci: Mesing / Bolts: Brass** DIN 84 / DIN 933
- **Vanjska površina: Galvanski pokositrena / External surface: Tin-plated**
- **Za bakrenu užad i vodiče prema / For copper conductors acc. to:** DIN 48201, VDE 0295, IEC 60228

Kat. br. Cat. No.	Tip Type	Nazivni presjek vodiča mm ² Nominal cross section mm ²		Vijak Bolt	Promjer vodiča Conductor diameter Ø mm	Dimenzije mm Dimensions mm						Broj vijaka No. of screws	Masa kg Mass kg 100 kom 100 pcs	Pakiranje Package kom pcs
		OV/SV RM/SM	OJ/SJ RE/SE			b	d2	b1	l	h	k			
MP102824	KSV-35/8-MS			M8		19	8,5		42					
MP102826	KSV-35/10-MS	25	35	M10	5,7 - 7,9	21	10,5	28	42	16	M6	4	4,50	50
MP102828	KSV-35/12-MS			M12		21	13,0		45					
MP102830	KSV-50/8-MS			M8		19	8,5							
MP102832	KSV-50/10-MS	35	50	M10	6,7 - 9,1	19	10,5	28	46	19	M6	4	7,00	50
MP102834	KSV-50/12-MS			M12		24	13,0							
MP102836	KSV-70/8-MS			M8		24	8,5							
MP102838	KSV-70/10-MS	50	70	M10	7,8 - 11,0	24	10,5	31	52	19	M6	4	10,00	25
MP102840	KSV-70/12-MS			M12		24	13,0							
MP102844	KSV-95/10-MS			M10		24	10,5		57					
MP102846	KSV-95/12-MS	70	95	M12	9,4 - 12,9	24	13,0	32	57	25	M6	4	12,00	25
MP102848	KSV-95/16-MS			M16		30	17,0		60					
MP102850	KSV-120/10-MS			M10		28	10,5		60					
MP102852	KSV-120/12-MS	95	120	M12	11,0 - 14,5	28	13,0	42	60	27	M8	4	17,00	25
MP102854	KSV-120/16-MS			M16		28	17,0		63					
MP101856	KSV-150/10-MS			M10		32	10,5						19,00	
MP101858	KSV-150/12-MS	120	150	M12	12,4 - 16,2	32	13,0	44	65	29	M8	4	19,00	10
MP101860	KSV-150/16-MS			M16		38	17,0						21,00	
MP101862	KSV-240/10-MS			M10		32	10,5		65				19,40	
MP101864	KSV-240/12-MS	185	240	M12	15,4 - 20,6	32	13,0	45	65	32	M8	4	19,20	10
MP101866	KSV-240/16-MS			M16		32	17,0		65				19,00	

Cu 25 – 240 mm²

Bakrene kabelske stopice vijčane s 4 čelična vijka
Copper cable lugs clamping type with 4 steel screws

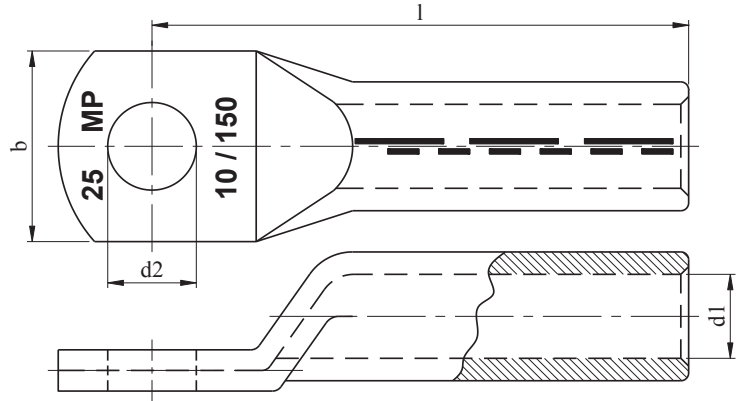
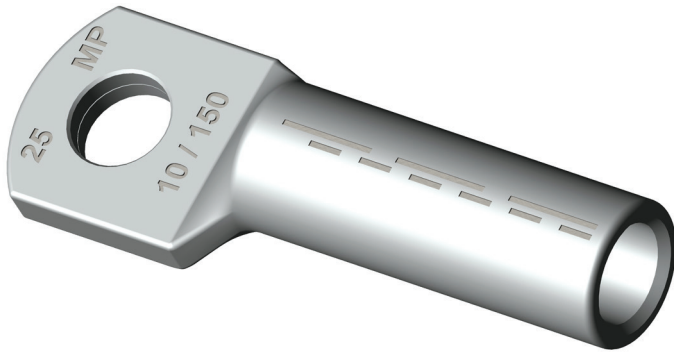


- **Materijal: Bakar / Material: Copper** EN 13600
- **Vijci: Čelik / Bolts: Steel** DIN 84 / DIN 933
- **Vanjska površina: Galvanski pokositrena / External surface: Tin-plated**
- **Za bakrenu užad i vodiče prema / For copper conductors acc. to:** DIN 48201, VDE 0295, IEC 60228

Kat. br. Cat. No.	Tip Type	Nazivni presjek vodiča mm ² Nominal cross section mm ²		Vijak Bolt	Promjer vodiča Conductor diameter Ø mm	Dimenzije mm Dimensions mm					Broj vijaka No. of screws	Masa kg Mass kg 100 kom 100 pcs	Pakiranje Package kom pcs	
		OV/SV RM/SM	OJ/SJ RE/SE			b	d2	b1	l	h				k
MP102624	KSV-35/8			M8		19	8,5		42					
MP102626	KSV-35/10	25	35	M10	5,7 - 7,9	21	10,5	28	42	16	M6	4	4,50	50
MP102628	KSV-35/12			M12		21	13,0		45					
MP102630	KSV-50/8			M8		19	8,5							
MP102632	KSV-50/10	35	50	M10	6,7 - 9,1	19	10,5	28	46	19	M6	4	7,00	50
MP102634	KSV-50/12			M12		24	13,0							
MP102636	KSV-70/8			M8		24	8,5							
MP102638	KSV-70/10	50	70	M10	7,8 - 11,0	24	10,5	31	52	19	M6	4	10,00	25
MP102640	KSV-70/12			M12		24	13,0							
MP102644	KSV-95/10			M10		24	10,5		57					
MP102646	KSV-95/12	70	95	M12	9,4 - 12,9	24	13,0	32	57	25	M6	4	12,00	25
MP102648	KSV-95/16			M16		30	17,0		60					
MP102650	KSV-120/10			M10		28	10,5		60					
MP102652	KSV-120/12	95	120	M12	11,0 - 14,5	28	13,0	42	60	27	M8	4	17,00	25
MP102654	KSV-120/16			M16		28	17,0		63					
MP102656	KSV-150/10			M10		32	10,5						19,00	
MP102658	KSV-150/12	120	150	M12	12,4 - 16,2	32	13,0	44	65	29	M8	4	19,00	10
MP102660	KSV-150/16			M16		38	17,0						21,00	
MP102661	KSV-240/10			M10		32	10,5		65				19,40	
MP102662	KSV-240/12	185	240	M12	15,4 - 20,6	32	13,0	45	65	32	M8	4	19,20	10
MP102663	KSV-240/16			M16		32	17,0		65				19,00	

Alumijske kabljske cijevne stopice
Aluminium compression cable lugs

Al 16 – 500 mm²



- Ispitano prema: HRN EN 61238 / Tested according to: IEC 61238
- Materijal: Aluminij / Material: Aluminium **EN 573-1,3**
- Vanjska površina: Čista / External surface: Uncoated
- Unutrašnjost stopica punjena kontaktnom mašču / The cable lugs are filled with contact grease
- Za alumijsku užad i vodiče prema / For aluminium conductors acc. to: **DIN 48201, VDE 0295, IEC 60228, EN 50182**

Kat. br. Cat. No.	Tip Type	Nazivni presjek vodiča mm ² Nominal cross section mm ²		Vijak Bolt	Promjer vodiča Conductor diameter Ø mm	Dimenzije mm Dimensions mm				Alat br. Tool No.	Broj prešanja No. of compressions		Masa kg Mass kg 100 kom 100 pcs	Pakiranje Package kom pcs
		OV/SV* RM/SM*	OJ/SJ RE/SE			b	d1	d2	l		meh. mech.	hidr. hydr.		
MP102110	KSA-C-16/6			M6		18		6,5					1,50	
MP102112	KSA-C-16/8	16	25	M8	4,6 - 5,3	18	5,6	8,5	52	12	4	2	1,40	100
MP102114	KSA-C-16/10			M10		18		10,5					1,30	
MP102116	KSA-C-25/6			M6		18		6,5					1,30	
MP102118	KSA-C-25/8	25	35	M8	5,6 - 6,5	18	6,8	8,5	56	12	4	2	1,30	50
MP102120	KSA-C-25/10			M10		17		10,5					1,30	
MP102122	KSA-C-25/12			M12		19		12,7					1,20	
MP102123	KSA-C-35/6			M6		22		6,5					2,30	
MP102124	KSA-C-35/8	35	50	M8	6,6 - 7,5	22	8,0	8,5	67	14	5	2	2,20	50
MP102126	KSA-C-35/10			M10		24		10,5					2,10	
MP102128	KSA-C-35/12			M12		24		12,7					2,00	
MP102130	KSA-C-50/8			M8		23		8,5					2,90	
MP102132	KSA-C-50/10	50	70	M10	7,7 - 8,6	25	10,0	10,5	72	16	5	2	2,80	25
MP102134	KSA-C-50/12			M12		25		12,7					2,70	
MP102136	KSA-C-70/8			M8		28		8,5					4,20	
MP102138	KSA-C-70/10	70	95	M10	9,3 - 10,2	28	11,5	10,5	83	18	6	3	4,20	25
MP102140	KSA-C-70/12			M12		28		12,7					4,20	
MP102142	KSA-C-70/16			M16		30		17,0					4,20	

* Sektorske vodiče zaokružiti pripadajućim alatima / * Sector shaped conductors must be rounded with round-forming dies

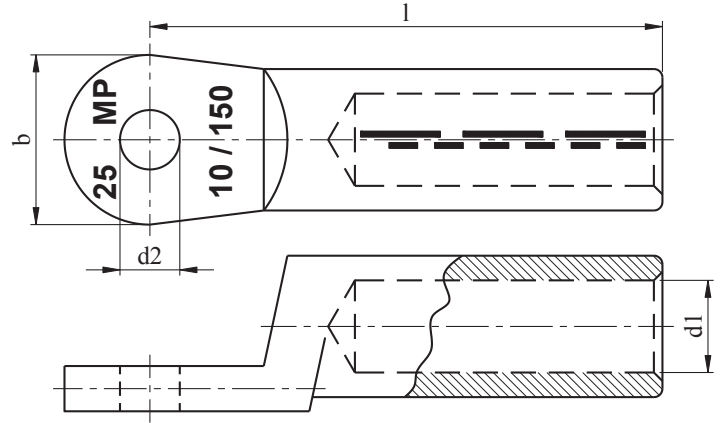
Al 16 – 500 mm²

Kat. br. Cat. No.	Tip Type	Nazivni presjek vodiča mm ² Nominal cross section mm ²		Vijak Bolt	Promjer vodiča Conductor diameter Ø mm	Dimenzije mm Dimensions mm				Alat br. Tool No.	Broj prešanja No. of compressions		Masa kg Mass kg 100 kom 100 pcs	Pakiranje Package kom pcs
		OV/SV* RM/SM*	OJ/SJ RE/SE			b	d1	d2	l		meh. mech.	hidr. hydr.		
MP102143	KSA-C-95/8			M8		30		8,5					6,50	
MP102144	KSA-C-95/10			M10		32		10,5					6,60	
MP102146	KSA-C-95/12	95	120	M12	11,0 - 12,0	32	13,5	12,7	90	22	6	3	6,60	25
MP102148	KSA-C-95/16			M16		34		17,0					6,70	
MP102150	KSA-C-120/10			M10		32		10,5					6,80	
MP102152	KSA-C-120/12	120	150	M12	12,3 - 13,5	32	15,0	12,7	91	22	6	3	6,80	20
MP102154	KSA-C-120/16			M16		34		17,0					6,90	
MP102156	KSA-C-150/10			M10		35		10,5					8,40	
MP102158	KSA-C-150/12			M12		35		12,7					8,30	
MP102160	KSA-C-150/16	150	185	M16	13,7 - 15,0	35	16,5	17,0	100	25	6	3	8,10	20
MP102162	KSA-C-150/20			M20		40		21,0					8,00	
MP102164	KSA-C-185/10			M10		40		10,5					12,50	
MP102166	KSA-C-185/12			M12		40		12,7					12,20	
MP102168	KSA-C-185/16	185	240	M16	15,3 - 16,8	42	18,5	17,0	106	28	6	3	11,90	20
MP102170	KSA-C-185/20			M20		42		21,0					11,50	
MP102172	KSA-C-240/10			M10		45		10,5					17,60	
MP102174	KSA-C-240/12			M12		45		12,7					17,20	
MP102176	KSA-C-240/16	240	300	M16	17,6 - 19,2	45	21,5	17,0	119	32	8	3	16,70	10
MP102178	KSA-C-240/20			M20		47		21,0					16,20	
MP102181	KSA-C-300/10			M10		50		10,5					21,40	
MP102179	KSA-C-300/12			M12		50		12,7					20,90	
MP102180	KSA-C-300/16	300	-	M16	19,7 - 21,6	50	23,5	17,0	125	34	8	3	20,00	5
MP102182	KSA-C-300/20			M20		50		21,0					19,80	
MP102184	KSA-C-400/16			M16		60		17,0					33,30	
MP102186	KSA-C-400/20	400	-	M20	22,3 - 24,6	60	26,0	21,0	165	38	-	4	41,40	5
MP102188	KSA-C-500/16			M16		63		17,0					60,50	
MP102190	KSA-C-500/20	500	-	M20	25,3 - 27,6	63	29,0	21,0	185	44	-	4	58,00	5

* Sektorske vodiče zaokružiti pripadajućim alatima / * Sector shaped conductors must be rounded with round-forming dies

Alumijske kabske stopice, uzdužno vodonepropusne, prema DIN 46329
Aluminium compression cable lugs, longitudinally sealed, acc. to DIN 46329

Al 16 – 300 mm²



- Ispitano prema: HRN EN 61238 / Tested according to: IEC 61238
- Materijal: Aluminij / Material: Aluminium **EN 573-1,3**
- Vanjska površina: Čista / External surface: Uncoated
- Unutrašnjost stopica punjena kontaktnom mašču / The cable lugs are filled with contact grease
- Za aluminijску užad i vodiče prema / For aluminium conductors acc. to: **DIN 48201, VDE 0295, IEC 60228, EN 50182**

Kat. br. Cat. No.	Tip Type	Nazivni presjek vodiča mm ² Nominal cross section mm ²		Vijak Bolt	Promjer vodiča Conductor diameter Ø mm	Dimenzije mm Dimensions mm				Alat br. Tool No.	Broj prešanja No. of compressions		Masa kg Mass kg	Pakiranje Package
		OV/SV* RM/SM*	OJ/SJ RE/SE			b	d1	d2	l		meh. mech.	hidr. hydr.		
MP102310	KSA-K-16/6			M6		20		6,5					1,90	
MP102312	KSA-K-16/8	16	25	M8	4,6 - 5,3	20	5,6	8,5	55	12	4	2	1,80	50
MP102314	KSA-K-16/10			M10		20	10,5	1,70						
MP102316	KSA-K-16/12			M16		25	13,5	1,60						
MP102318	KSA-K-25/6			M6		20		6,5				1,90		
MP102320	KSA-K-25/8	25	35	M8	5,6 - 6,5	20	6,8	8,5	57	12	4	2	1,80	50
MP102322	KSA-K-25/10			M10		20		10,5					1,70	
MP102324	KSA-K-25/12			M12		25		13,0					1,60	
MP102326	KSA-K-35/8			M8		25		8,5				2,30		
MP102328	KSA-K-35/10	35	50	M10	6,6 - 7,5	25	8,0	10,5	64	14	5	2	2,20	50
MP102330	KSA-K-35/12			M12		25		13,5					2,10	
MP102332	KSA-K-50/8			M8		25		8,5					3,20	
MP102334	KSA-K-50/10	50	70	M10	7,7 - 8,6	25	10,0	10,5	62	16	5	2	3,10	50
MP102336	KSA-K-50/12			M12		25		13,5					3,00	
MP102338	KSA-K-70/8			M8		25		8,5					4,70	
MP102340	KSA-K-70/10	70	95	M10	9,3 - 10,2	25	11,5	10,5	75	18	6	3	4,60	50
MP102342	KSA-K-70/12			M12		25		13,5					4,50	
MP102344	KSA-K-70/16			M16		30		17,0					4,80	

* Sektorske vodiče zaokružiti pripadajućim alatima / * Sector shaped conductors must be rounded with round-forming dies

Al 16 – 300 mm²

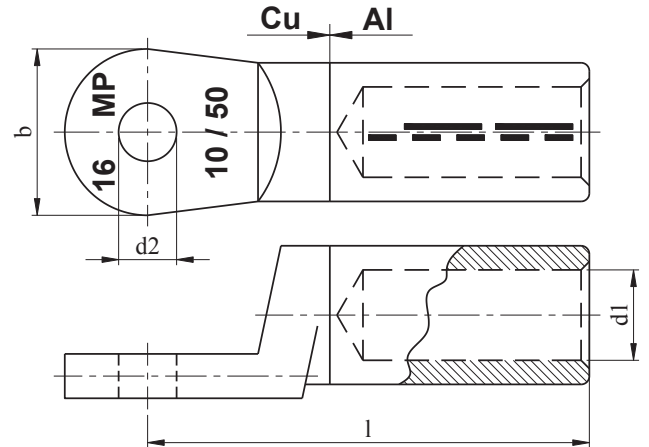
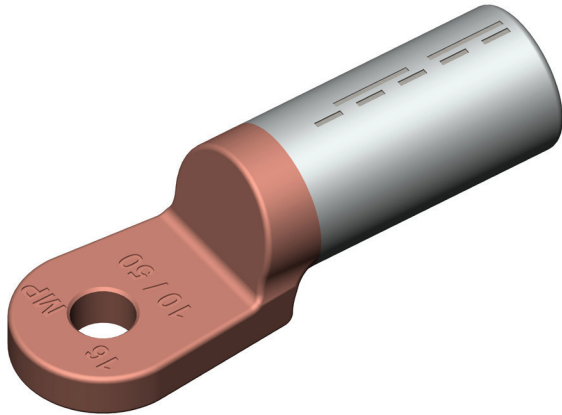
Aluminijske kabelaške stopice, uzdužno vodonepropusne, prema DIN 46329
Aluminium compression cable lugs, longitudinally sealed, acc. to DIN 46329

Kat. br. Cat. No.	Tip Type	Nazivni presjek vodiča mm ² Nominal cross section mm ²		Vijak Bolt	Promjer vodiča Conductor diameter	Dimenzije mm Dimensions mm				Broj prešanja No. of compressions			Masa kg Mass kg	Pakiranje Package
		OV/SV* RM/SM*	OJ/SJ RE/SE		Ø mm	b	d1	d2	l	Alat br. Tool No.	meh. mech.	hidr. hydr.	100 kom 100 pcs	kom pcs
MP102346	KSA-K-95/10			M10		25		10,5	72				7,00	
MP102348	KSA-K-95/12	95	120	M12	11,0 - 12,0	25	13,5	13,5	72	22	6	3	6,80	25
MP102350	KSA-K-95/16			M16		30		17,0	76				7,50	
MP102352	KSA-K-120/10			M10		30		10,5					7,00	
MP102354	KSA-K-120/12	120	150	M12	12,3 - 13,5	30	15,0	13,5	80	22	6	3	6,80	25
MP102356	KSA-K-120/16			M16		30		17,0					7,50	
MP102358	KSA-K-150/10			M10		30		10,5	90				9,60	
MP102360	KSA-K-150/12	150	185	M12	13,7 - 15,0	30	16,5	13,0	90	25	6	3	9,50	20
MP102362	KSA-K-150/16			M16		30		17,0	90				9,30	
MP102364	KSA-K-150/20			M20		36		21,0	94				11,00	
MP102366	KSA-K-185/10			M10		30		10,5	91				11,60	
MP102368	KSA-K-185/12	185	240	M12	15,3 - 16,8	30	18,5	13,0	91	28	6	3	11,50	20
MP102370	KSA-K-185/16			M16		30		17,0	91				11,30	
MP102372	KSA-K-185/20			M20		38		21,0	95				11,90	
MP102374	KSA-K-240/10			M10		38		10,5					18,60	
MP102376	KSA-K-240/12	240	300	M12	17,6 - 19,2	38	21,0	13,0	103	32	8	3	18,50	10
MP102378	KSA-K-240/16			M16		38		17,0					18,30	
MP102380	KSA-K-240/20			M20		38		21,0					18,10	
MP102383	KSA-K-300/12			M12		38		13,0					17,00	
MP102384	KSA-K-300/16	300	-	M16	19,7 - 21,6	38	23,5	17,0	103	34	8	3	16,00	10
MP102386	KSA-K-300/20			M20		38		21,0					15,80	

* Sektorske vodiče zaokružiti pripadajućim alatima / * Sector shaped conductors must be rounded with round-forming dies

Alumijsko-bakrene kabelske stopice, uzdužno vodonepropusne
Aluminium-copper compression cable lugs, longitudinally sealed

Al/Cu 16 – 50 mm²



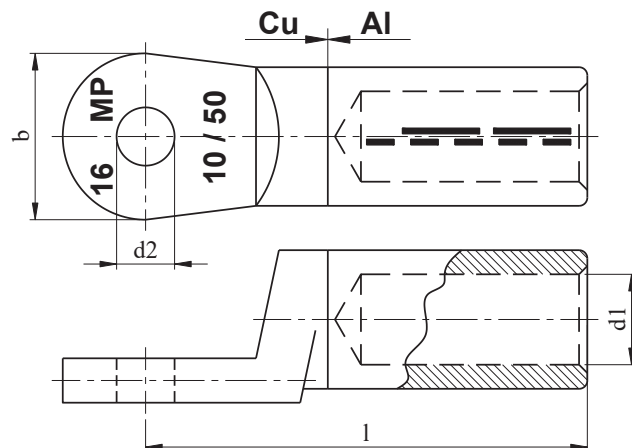
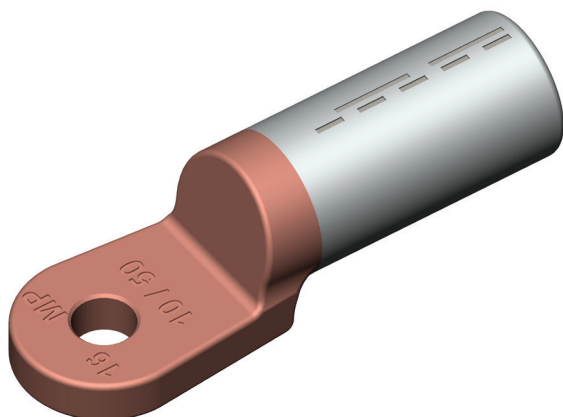
- Ispitano prema: HRN EN 61238 / Tested according to: IEC 61238
- Materijal / Material:
 - Tijelo / Sleeve: **Aluminij / Aluminium** EN 573-1,3
 - Glava / Palm: **Bakar / Solid Copper** EN 13600
- Vanjska površina: Čista / External surface: Uncoated
- Unutrašnjost stopica punjena kontaktnom mašču / The cable lugs are filled with contact grease
- Za alumijsku užad i vodiče prema / For aluminium conductors acc. to: **DIN 48201, VDE 0295, IEC 60228, EN 50182**

Kat. br. Cat. No.	Tip Type	Nazivni presjek vodiča mm ² Nominal cross section mm ²		Vijak Bolt	Promjer vodiča Conductor diameter Ø mm	Dimenzije mm Dimensions mm				Alat br. Tool No.	Broj prešanja No. of compressions		Masa kg Mass kg 100 kom 100 pcs	Pakiranje Package kom pcs
		OV/SV* RM/SM*	OJ/SJ RE/SE			b	d1	d2	l		meh. mech.	hidr. hydr.		
MP104010	KSAB-16/6			M6		20		6,4					2,90	
MP104012	KSAB-16/8			M8		20		8,5					2,90	50
MP104014	KSAB-16/10	16	25	M10	4,6 - 5,3	20	5,4	10,5	62	12	4	2	2,80	
MP104015	KSAB-16/12			M12		25		13,0					2,80	
MP104016	KSAB-25/6			M6		20		6,4					2,30	
MP104018	KSAB-25/8			M8		20		8,5					2,20	50
MP104020	KSAB-25/10	25	35	M10	5,6 - 6,5	20	6,8	10,5	62	12	4	2	2,10	
MP104022	KSAB-25/12			M12		25		13,0					2,00	
MP104024	KSAB-35/8			M8		20		8,5					4,70	
MP104026	KSAB-35/10			M10	6,6 - 7,5	25		10,5					4,90	50
MP104028	KSAB-35/12	35	50	M12		25	8,0	13,0	75	14	5	2	4,80	
MP104029	KSAB-35/16			M16		30		17,0					5,00	
MP104030	KSAB-50/8			M10		25		10,5					6,80	
MP104032	KSAB-50/10			M12		25		13,0					6,70	50
MP104034	KSAB-50/12	50	70	M16	7,7 - 8,6	25	10,0	17,0	75	16	5	2	6,60	
MP104035	KSAB-50/16			M20		30		21,0					6,50	

* Sektorske vodiče zaokružiti pripadajućim alatima / * Sector shaped conductors must be rounded with round-forming dies

Al/Cu 70 – 300 mm²

Aluminijsko-bakrene kabliske stopice, uzdužno vodonepropusne
Aluminium-copper compression cable lugs, longitudinally sealed

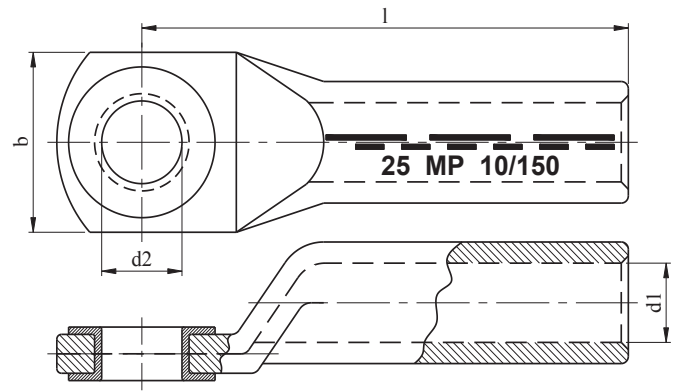
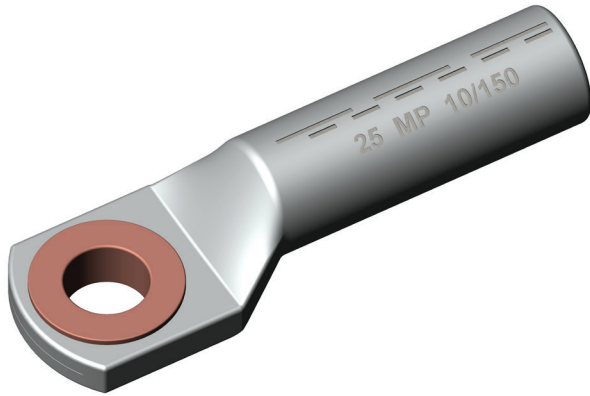


- Ispitano prema: HRN EN 61238 / Tested according to: IEC 61238
- Materijal / Material:
 - Tijelo / Sleeve: **Aluminij / Aluminium** EN 573-1,3
 - Glava / Palm: **Bakar / Solid Copper** EN 13600
- Vanjska površina: Čista / External surface: Uncoated
- Unutrašnjost stopica punjena kontaktnom mašču / The cable lugs are filled with contact grease
- Za aluminijsku užad i vodiče prema / For aluminium conductors acc. to: **DIN 48201, VDE 0295, IEC 60228, EN 50182**

Kat. br. Cat. No.	Tip Type	Nazivni presjek vodiča mm ² Nominal cross section mm ²		Vijak Bolt	Promjer vodiča Conductor diameter Ø mm	Dimenzije mm Dimensions mm				Alat br. Tool No.	Broj prešanja No. of compressions		Masa kg Mass kg 100 kom 100 pcs	Pakiranje Package kom pcs
		OV/SV RM/SM	OJ/SJ RE/SE			b	d1	d2	l		meh. mech.	hidr. hydr.		
MP104036	KSAB-70/8			M8				8,5					10,90	
MP104038	KSAB-70/10			M10				10,5					10,40	
MP104040	KSAB-70/12	70	95	M12	9,3 – 10,2	25	11,2	13,0	87	18	6	3	10,30	25
MP104042	KSAB-70/16			M16				17,0					10,10	
MP104043	KSAB-95/8			M8				8,5					12,30	
MP104044	KSAB-95/10			M10				10,5					12,10	
MP104046	KSAB-95/12	95	120	M12	11,0 – 12,0	30	13,2	13,0	97	22	6	3	11,90	25
MP104048	KSAB-95/16			M16				17,0					11,40	
MP104050	KSAB-120/8			M8				8,5					11,90	
MP104051	KSAB-120/10			M10				10,5					11,40	
MP104052	KSAB-120/12	120	150	M12	12,3 – 13,5	30	14,7	13,0	97	22	6	3	11,30	25
MP104054	KSAB-120/16			M16				17,0					11,10	
MP104056	KSAB-150/10			M10		30		10,5	102				15,70	
MP104058	KSAB-150/12			M12		30		13,0	102				15,40	
MP104060	KSAB-150/16	150	185	M16	13,7 – 15,0	30	16,3	17,0	102	25	6	3	14,80	20
MP104062	KSAB-150/20			M20		36		21,0	105				15,60	
MP104064	KSAB-185/10			M10		30		10,5	102				19,30	
MP104066	KSAB-185/12			M12		30		13,0	102				19,00	
MP104068	KSAB-185/16	185	240	M16	15,3 – 16,8	30	18,3	17,0	102	28	6	3	18,40	20
MP104070	KSAB-185/20			M20		36		21,0	105				19,50	
MP104072	KSAB-240/10			M10				10,5					28,10	
MP104074	KSAB-240/12			M12				13,0					27,90	
MP104076	KSAB-240/16	240	300	M16	17,6 – 19,2	36	21,0	17,0	117	32	8	3	27,10	10
MP104078	KSAB-240/20			M20				21,0					26,20	
MP104080	KSAB-300/12			M12				13,0					33,50	
MP104082	KSAB-300/16	300	-	M16	19,7 – 21,6	36	23,3	17,0	137	34	8	3	33,10	10
MP104084	KSAB-300/20			M20				21,0					32,70	

Alumijsko-bakrene kabelske cijevne stopice s bakrenim prstenom
Aluminium-copper compression cable lugs tube-type with copper eye

Al/Cu 16 – 300 mm²



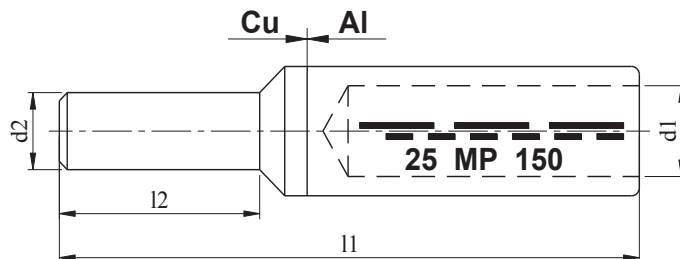
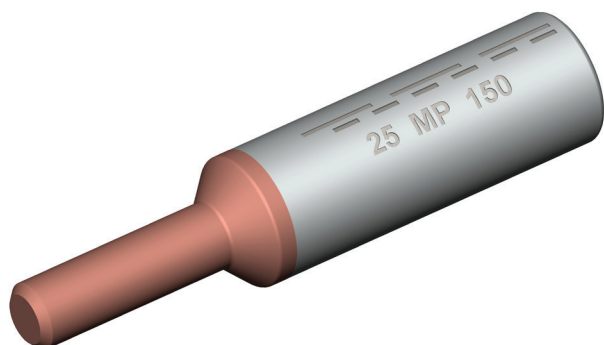
- Ispitano prema: HRN EN 61238 / Tested according to: IEC 61238
- Materijal / Material:
 - Tijelo / Body: **Aluminij / Aluminium** **EN 573-1,3**
 - Kontaktni prsten / Contact eye: **Bakar / Copper** **EN 13600**
- Vanjska površina: Čista / External surface: Uncoated
- Unutrašnjost stopica punjena kontaktnom mašču / The cable lugs are filled with contact grease
- Za aluminijску užad i vodiče prema / For aluminium conductors acc. to: **DIN 48201, VDE 0295, IEC 60228, EN 50182**

Kat. br. Cat. No.	Tip Type	Nazivni presjek vodiča mm ² Nominal cross section mm ²		Vijak Bolt	Promjer vodiča Conductor diameter Ø mm	Dimenzije mm Dimensions mm				Alat br. Tool No.	Broj prešanja No. of compressions		Masa kg Mass kg 100 kom 100 pcs	Pakiranje Package kom pcs
		OV/SV* RM/SM*	OJ/SJ RE/SE			b	d1	d2	l		meh. mech.	hidr. hydr.		
MP104212	KSAB-C-16/8			M8	4,6 - 5,3	24	5,6	8,5	56	12	4	2	1,90	
MP104214	KSAB-C-16/10	16	25	M10				10,5					1,90	50
MP104218	KSAB-C-25/8			M8	5,6 - 6,5	24	6,8	8,5	65	12	4	2	1,90	50
MP104220	KSAB-C-25/10	25	35	M10				10,5					2,10	
MP104224	KSAB-C-35/8			M8				8,5					2,60	
MP104226	KSAB-C-35/10	35	50	M10	6,6 - 7,7	26	8,0	10,5	72	14	5	2	2,90	50
MP104228	KSAB-C-35/12			M12				13,0					3,10	
MP104230	KSAB-C-50/8			M8				8,5					3,30	
MP104232	KSAB-C-50/10			M10				10,5					3,50	
MP104234	KSAB-C-50/12	50	70	M12	7,7 - 8,6	26	10,0	13,0	75	16	5	2	4,20	50
MP104239	KSAB-C-50/16			M16				17,0					4,70	
MP104236	KSAB-C-70/8			M8				8,5					5,10	
MP104238	KSAB-C-70/10			M10				10,5					5,30	50
MP104240	KSAB-C-70/12	70	95	M12	9,3 - 10,2	28	11,5	13,0	87	18	6	3	4,90	
MP104242	KSAB-C-70/16			M16				17,0					5,30	
MP104244	KSAB-C-95/10			M10				10,5					6,90	
MP104246	KSAB-C-95/12	95	120	M12	11,0 - 12,0	32	13,5	13,0	91	22	6	3	7,90	25
MP104248	KSAB-C-95/16			M16				17,0					10,00	
MP104250	KSAB-C-120/10			M10				10,5					8,20	
MP104252	KSAB-C-120/12	120	150	M12	12,3 - 13,5	34	15,0	13,0	91	22	6	3	8,00	25
MP104254	KSAB-C-120/16			M16				17,0					7,80	
MP104256	KSAB-C-150/10			M10				10,5					9,30	
MP104258	KSAB-C-150/12	150	185	M12	13,7 - 15,0	36	16,5	13,0	100	25	6	3	10,10	20
MP104260	KSAB-C-150/16			M16				17,0					10,40	
MP104264	KSAB-C-185/10			M10				10,5					13,50	
MP104266	KSAB-C-185/12	185	240	M12	15,3 - 16,8	40	18,5	13,0	110	28	6	3	14,10	20
MP104268	KSAB-C-185/16			M16				17,0					14,00	
MP104274	KSAB-C-240/12			M12				13,0					19,30	
MP104276	KSAB-C-240/16	240	300	M16	17,6 - 19,2	45	21,5	17,0	124	32	8	3	18,90	10
MP104277	KSAB-C-300/12			M12				13,0					24,60	
MP104278	KSAB-C-300/16	300	-	M16	19,7 - 21,6	51	23,5	17,0	127	34	8	3	25,50	10
MP104280	KSAB-C-300/20			M20				21,0					27,70	

* Sektorske vodiče zaokružiti pripadajućim alatima / * Sector shaped conductors must be rounded with round-forming dies

Al/Cu 16 – 300 mm²

Aluminijsko-bakreni kabelski priključni svornjaci, 1 - 10 kV
Aluminium-copper pin-type compression terminals, 1 - 10 kV



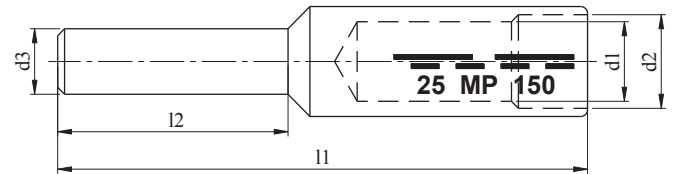
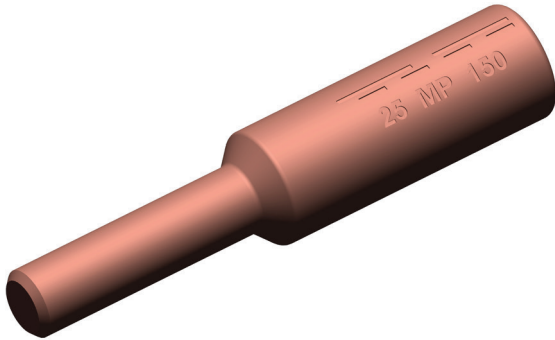
- Ispitano prema: HRN EN 61238 / Tested according to: IEC 61238
- Materijal / Material:
 - Tijelo / Sleeve: **Aluminij / Aluminium** EN 573-1,3
 - Glava / Pin: **Bakar / Copper** EN 13600
- Vanjska površina: Čista / External surface: Uncoated
- Unutrašnjost stopica punjena kontaktnom mašču / The cable lugs are filled with contact grease
- Za aluminijsku užad i vodiče prema / For aluminium conductors acc. to: **DIN 48201, VDE 0295, IEC 60228, EN 50182**

Kat. br. Cat. No.	Tip Type	Nazivni presjek vodiča mm ² Nominal cross section mm ²		Promjer vodiča Conductor diameter Ø mm	Dimenzije mm Dimensions mm				Alat br. Tool No.	Broj prešanja No. of compressions		Masa kg Mass kg 100 kom 100 pcs	Pakiranje Package kom pcs
		OV/SV* RM/SM*	OJ/SJ RE/SE		d1	d2	l1	l2		meh. mech.	hidr. hydr.		
MP134001	KPS-AB-16/4				4,0							1,30	
MP134002	KPS-AB-16/4,5											1,50	
MP134006	KPS-AB-16/5,8	16	25	4,6 - 5,3	5,6	4,5	45	17	12	3	-	1,70	20
MP134007	KPS-AB-16/10					5,8						2,00	
MP134008	KPS-AB-25/6					10,0						2,00	
MP134038	KPS-AB-25/8					6,0						1,70	
MP134039	KPS-AB-25/10	25	35	5,6 - 6,5	6,8	8,0	65	20	12	4	2	1,50	20
MP134040	KPS-AB-25/12					10,0						1,70	
MP134010	KPS-AB-35/7					12,0						1,70	
MP134035	KPS-AB-35/5,5	35	50	6,6 - 7,5	8,0	7,0	74	22	14	5	2	2,80	20
MP134011	KPS-AB-35/10					5,5						3,00	
MP134012	KPS-AB-50					8,0						3,00	
MP134036	KPS-AB-50/5,5	50	70	7,7 - 8,6	10,0	8,0	77	25	16	5	2	3,60	20
MP134037	KPS-AB-70/5,5					5,5						3,00	
MP134014	KPS-AB-70/10	70	95	9,3 - 10,2	11,5	7,0	91	30	18	6	3	4,50	20
MP134015	KPS-AB-70/16					16,0						5,70	20
MP134016	KPS-AB-95											6,50	
MP134018	KPS-AB-120	95	120	11,0 - 12,0	13,5	12,0	101	33	22	6	3	8,90	20
MP134020	KPS-AB-150	120	150	12,3 - 13,5	15,0	12,0	106	38	22	6	3	9,70	20
MP134022	KPS-AB-185	150	185	13,7 - 15,0	16,5	12,0	112	38	25	6	3	11,50	20
MP134024	KPS-AB-240	185	240	15,3 - 16,8	18,5	14,0	120	42	28	6	3	16,20	10
MP134026	KPS-AB-300	240	300	17,6 - 19,2	21,5	16,0	128	44	32	8	3	21,80	10
MP134026	KPS-AB-300	300	-	19,7 - 21,6	23,5	18,0	150	46	34	8	3	24,50	10

* Sektorske vodiče zaokružiti pripadajućim alatima / * Sector shaped conductors must be rounded with round-forming dies

Bakreni kabelski priključni svornjaci s prihvatom izolacije, 1 - 10 kV
Copper pin-type compression terminals with insulation grip, 1 - 10 kV

Cu 16 – 240 mm²



- Ispitano prema: HRN EN 61238 / Tested according to: IEC 61238
- Materijal: Bakar / Material: Copper EN 13600
- Vanjska površina: Čista / External surface: Uncoated
- Za bakrenu užad i vodiče prema / For copper conductors acc. to: DIN 48201, VDE 0295, IEC 60228

Kat. br. Cat. No.	Tip Type	Nazivni presjek vodiča mm ² Nominal cross section mm ²		Promjer vodiča Conductor diameter Ø mm	Dimenzije mm Dimensions mm					Alat br. Tool No.	Broj prešanja No. of compressions		Masa kg Mass kg 100 kom 100 pcs	Pakiranje Package kom pcs
		OV/SV* RM/SM*	OJ/SJ RE/SE		d1	d2**	d3	l1	l2		meh. mech.	hidr. hydr.		
MP131207	KPS-BI-16	16	25	4,6 - 5,3	5,5	7,5	4,5	70	35	10	2	-	2,00	20
MP131209	KPS-BI-25	25	35	5,7 - 6,6	7,0	9,5	6,0	70	35	12	2	-	2,20	20
MP131211	KPS-BI-35	35	50	6,7 - 7,9	8,2	11,0	7,5	83	40	14	2	1	11,00	20
MP131230	KPS-BI-35/6,5	35	50	6,7 - 7,9	8,2	11,0	6,5	68	22	14	2	1	4,50	10
MP131213	KPS-BI-50	50	70	7,7 - 9,1	10,0	12,5	9,0	103	50	16	3	1	14,50	20
MP131231	KPS-BI-50/6,5	50	70	7,8 - 9,1	10,0	12,5	6,5	80	25	16	3	1	6,60	10
MP131214	KPS-BI-70	70	95	7,8 - 9,1	11,5	14,5	10,0	103	50	18	3	1	14,50	20
MP131232	KPS-BI-70/6,5	70	95	9,4 - 11,0	11,5	14,5	6,5	88	30	18	3	1	9,50	10
MP131216	KPS-BI-95	95	120	9,4 - 11,0	13,5	16,5	11,0	113	50	22	4	2	15,20	20
MP131218	KPS-BI-120	120	150	12,4 - 14,5	15,5	18,0	12,0	113	50	22	4	2	16,00	20
MP131220	KPS-BI-150	150	185	13,8 - 16,2	17,0	20,0	14,0	115	50	25	4	2	22,50	10
MP131222	KPS-BI-185	185	240	15,4 - 18,0	19,0	22,0	16,0	120	50	28	4	2	24,00	10
MP131224	KPS-BI-185/19	185	240	15,4 - 18,0	19,0	22,0	19,0	120	50	28	4	2	24,50	10
MP131226	KPS-BI-240	240	300	17,6 - 20,6	21,5	24,0	20,0	130	50	28	4	2	26,00	10

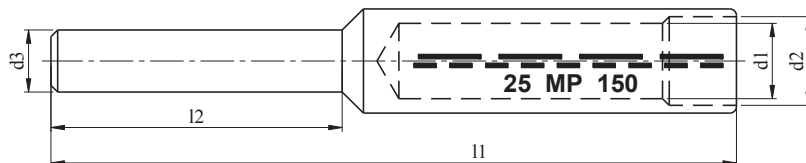
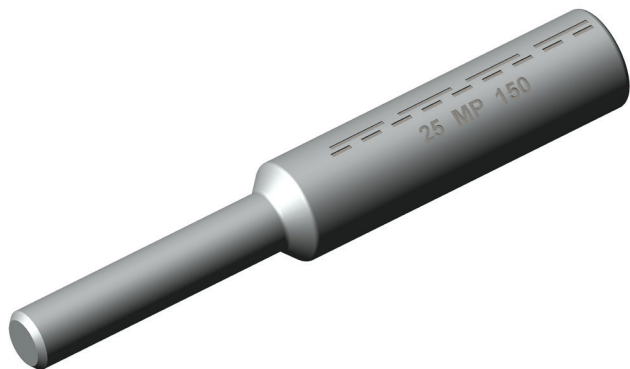
* Sektorske vodiče zaokružiti pripadajućim alatima / * Sector shaped conductors must be rounded with round-forming dies

** Promjer d2 dan je orijentaciono, a točnu dimenziju definirati kod narudžbe (promjer preko izolacije)

** The outer diameter of the cable d2, diameter over insulation, must be indicated by order

Al 35 – 150 mm²

Aluminijski kabelski priključni svornjaci s prihvatom izolacije, 1 - 10 kV
Aluminium pin-type compression terminals with insulation grip, 1 - 10 kV



- Ispitano prema: HRN EN 61238 / Tested according to: IEC 61238
- Materijal: Aluminij / Material: Aluminium **EN 573-1,3**
- Vanjska površina: Čista / External surface: Uncoated
- Unutrašnjost stopica punjena kontaktnom mašću / The cable lugs are filled with contact grease
- Za aluminijsku užad i vodiče prema / For aluminium conductors acc. to: **DIN 48201, VDE 0295, IEC 60228, EN 50182**

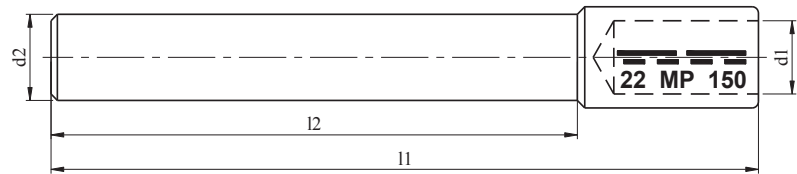
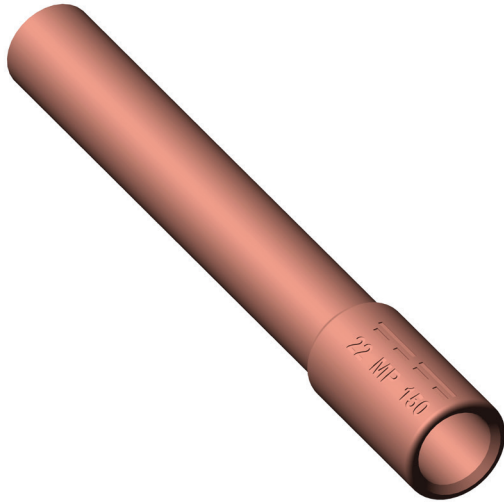
Kat. br. Cat. No.	Tip Type	Nazivni presjek vodiča mm ² Nominal cross section mm ²		Promjer vodiča Conductor diameter Ø mm	Dimenzije mm Dimensions mm					Alat br. Tool No.	Broj prešanja No. of compressions		Masa kg Mass kg 100 kom 100 pcs	Pakiranje Package kom pcs
		OV/SV* RM/SM*	OJ/SJ RE/SE		d1	d2**	d3	l1	l2		meh. mech.	hidr. hydr.		
MP131310	KPS-AI-35	35	50	6,6 - 7,5	8,0	11,0	8,0	135	65	14	7	3	5,50	20
MP131312	KPS-AI-50	50	70	7,7 - 8,6	9,8	12,5	10,0	135	65	16	7	3	6,20	20
MP131314	KPS-AI-70	70	95	9,3 - 10,2	11,2	14,5	10,0	140	65	18	8	3	7,30	20
MP131316	KPS-AI-95	95	120	11,0 - 12,0	13,2	16,5	11,0	145	65	22	8	3	7,70	20
MP131318	KPS-AI-120	120	150	12,3 - 13,5	14,7	18,0	12,0	145	65	22	8	3	8,50	20
MP131320	KPS-AI-150	150	185	13,7 - 15,0	16,3	20,0	14,0	153	65	25	9	4	11,00	20

* Sektorske vodiče zaokružiti pripadajućim alatima / * Sector shaped conductors must be rounded with round-forming dies

** Promjer d2 dan je orijentaciono, a točnu dimenziju definirati kod narudžbe (promjer preko izolacije)
** The outer diameter of the cable d2, diameter over insulation, must be indicated by order

Bakreni kabelski priključni svornjaci, 10 - 35 kV
Copper pin-type compression terminals, 10 - 35 kV

Cu 35 – 300 mm²



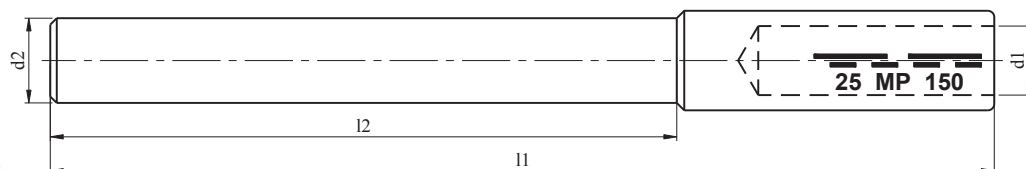
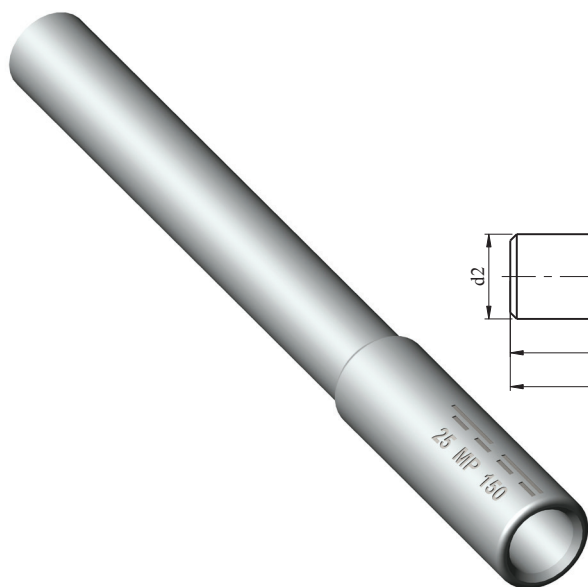
- **Ispitano prema: HRN EN 61238 / Tested according to: IEC 61238**
- **Materijal: Bakar / Material: Copper EN 13600**
- **Vanjska površina: Čista / External surface: Uncoated**
- **Za bakrene vodiče prema / For copper conductors acc. to: DIN 48201, VDE 0295, IEC 60228**

Kat. br. Cat. No.	Tip Type	Nazivni presjek vodiča mm ² Nominal cross section mm ²		Promjer vodiča Conductor diameter Ø mm	Dimenzije mm Dimensions mm				Alat br. Tool No.	Broj prešanja No. of compressions		Masa kg Mass kg 100 kom 100 pcs	Pakiranje Package kom pcs
		OV/SV* RM/SM*	OJ/SJ RE/SE		d1	d2	l1	l2		meh. mech.	hidr. hydr.		
MP131010	KPS-BV-35/20	35	50	6,7 - 7,9	8,2	20	165	125	12	2	1	36,40	10
MP131012	KPS-BV-50/20	50	70	7,8 - 9,1	10,0	20	165	125	14	3	1	38,00	10
MP131014	KPS-BV-70/20	70	95	9,4 - 11,0	11,5	20	165	125	16	3	1	38,20	10
MP131016	KPS-BV-95/20	95	120	11,0 - 12,9	13,5	20	165	125	18	4	2	38,60	10
MP131018	KPS-BV-120/20	120	150	12,4 - 14,5	15,5	20	165	125	20	4	2	41,00	10
MP131020	KPS-BV-150/20	150	185	13,8 - 16,2	17,0	20	165	125	22	4	2	44,50	10
MP131021	KPS-BV-150/25	150	185	13,8 - 16,2	17,0	25	125	80	22	4	2	46,50	10
MP131022	KPS-BV-185/20	185	240	15,4 - 18,0	19,0	20	170	125	25	4	2	52,90	10
MP131124	KPS-BV-240/20	240	-	17,6 - 20,6	21,5	20	185	125	28	-	2	54,00	5
MP131025	KPS-BV-240/30	240	-	17,6 - 20,6	21,5	30	140	80	28	-	2	68,00	5
MP131028	KPS-BV-240/25	240	-	17,6 - 20,6	21,5	25	185	125	28	-	2	60,00	5
MP131029	KPS-BV-240/20-K	240	-	17,6 - 20,6	21,5	20	120	60	28	-	2	50,00	5
MP131026	KPS-BV-300/20	300	-	19,8 - 23,1	24,5	20	190	125	32	-	3	59,00	5

* Sektorske vodiče zaokružiti pripadajućim alatima / * Sector shaped conductors must be rounded with round-forming dies

Al 35 – 240 mm²

Aluminijski kabelski priključni svornjaci, 10-35 kV
Aluminium pin-type compression terminals, 10-35 kV



- Ispitano prema: HRN EN 61238 / Tested according to: IEC 61238
- Materijal: Aluminij / Material: Aluminium **EN 573-1,3**
- Vanjska površina: Čista / External surface: Uncoated
- Unutrašnjost stopica punjena kontaktnom mašču / The cable lugs are filled with contact grease
- Za aluminijsku užad i vodiče prema / For aluminium conductors acc. to: **DIN 48201, VDE 0295, IEC 60228, EN 50182**

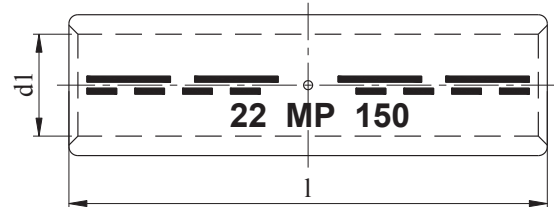
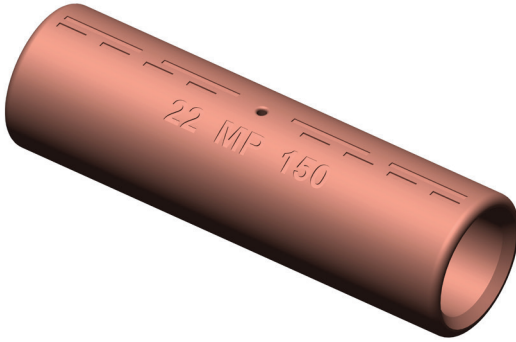
Kat. br. Cat. No.	Tip Type	Nazivni presjek vodiča mm ² Nominal cross section mm ²		Promjer vodiča Conductor diameter Ø mm	Dimenzije mm Dimensions mm				Alat br. Tool No.	Broj prešanja No. of compressions		Masa kg Mass kg 100 kom 100 pcs	Pakiranje Package kom pcs
		OV/SV* RM/SM*	OJ/SJ RE/SE		d1	d2	l1	l2		meh. mech.	hidr. hydr.		
MP131110	KPS-AV-35/20	35	50	6,6 - 7,5	8,0	20	210	150	14	4	2	14,70	10
MP131112	KPS-AV-50/20	50	70	7,7 - 8,6	10,0	20	210	150	16	4	2	15,20	10
MP131114	KPS-AV-70/20	70	95	9,3 - 10,2	11,5	20	210	150	18	4	2	16,20	10
MP131116	KPS-AV-95/20	95	120	11,0 - 12,0	13,5	20	210	150	22	4	2	16,90	10
MP131118	KPS-AV-120/20	120	150	12,3 - 13,5	15,0	20	210	150	22	4	2	18,10	10
MP131119	KPS-AV-120/30	120	150	12,3 - 13,5	15,0	30	145	80	22	4	2	20,00	10
MP131120	KPS-AV-150/20	150	185	13,7 - 15,0	16,5	20	220	146	25	4	2	19,90	10
MP131122	KPS-AV-185/20	185	240	15,3 - 16,8	18,5	20	220	146	28	5	2	22,20	10
MP131124	KPS-AV-240/20	240	300	17,6 - 19,2	21,0	20	220	146	32	5	2	23,70	5
MP131128	KPS-AV-240/20	240	300	17,6 - 19,2	21,0	20	150	80	32	5	2	25,00	5
MP131129	KPS-AV-240/30-SN**	240	300	17,6 - 19,2	21,0	30	150	80	32	5	2	25,00	5

* Sektorske vodiče zaokružiti pripadajućim alatima / * Sector shaped conductors must be rounded with round-forming dies

** Kositreno / Tin-plated

Bakrene kabliske spojne čahure, 1 - 10 kV, prema DIN 46267, dio 1
Copper compression sleeves, 1 - 10 kV, acc. to DIN 46267, part 1

Cu 6 – 1000 mm²



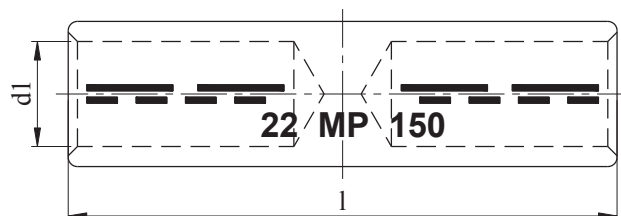
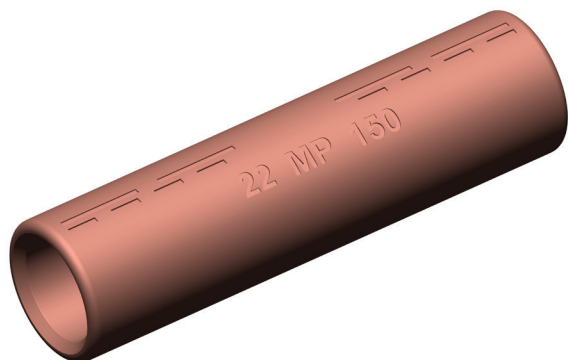
- **Za mehanički neopterećene spojeve / For non-tension connections**
- **Ispitano prema: HRN EN 61238 / Tested according to: IEC 61238**
- **Materijal: Bakar / Material: Copper EN 13600**
- **Vanjska površina: Galvanski pokositrena / External surface: Tin-plated**
- **Za bakrenu užad i vodiče prema / For copper conductors acc. to: DIN 48201, VDE 0295, IEC 60228**

Kat. br. Cat. No.	Tip Type	Nazivni presjek vodiča mm ² Nominal cross section mm ²		Promjer vodiča Conductor diameter Ø mm	Dimenzije mm Dimensions mm		Alat br. Tool No.	Broj prešanja No. of compressions		Masa kg Mass kg 100 kom 100 pcs	Pakiranje Package kom pcs
		OV/SV* RM/SM*	OJ/SJ RE/SE		d1	l		meh. mech.	hidr. hydr.		
MP122002	KCB-6	6	6	2,9 - 3,3	3,8	30	5	2-2	-	0,31	100
MP122004	KCB-10	10	10	3,7 - 4,2	4,5	30	6	2-2	-	0,34	100
MP122006	KCB-16	16	16	4,6 - 5,3	5,5	50	8	2-2	1-1	1,45	100
MP122008	KCB-25	25	35	5,7 - 6,6	7,0	50	10	2-2	1-1	1,77	50
MP122010	KCB-35	35	50	6,7 - 7,9	8,2	50	12	2-2	1-1	2,89	50
MP122012	KCB-50	50	70	7,8 - 9,1	10,0	56	14	3-3	1-1	4,26	50
MP122014	KCB-70	70	95	9,4 - 11,0	11,5	56	16	3-3	1-1	5,41	50
MP122016	KCB-95	95	120	11,0 - 12,9	13,5	70	18	4-4	2-2	8,62	25
MP122018	KCB-120	120	150	12,4 - 14,5	15,5	70	20	4-4	2-2	9,66	25
MP122020	KCB-150	150	185	13,8 - 16,2	17,0	80	22	4-4	2-2	14,50	10
MP122022	KCB-185	185	240	15,4 - 18,0	19,0	85	25	4-4	2-2	17,00	10
MP122024	KCB-240	240	300	17,6 - 20,6	21,5	90	28	-	2-2	23,41	10
MP122026	KCB-300	300	400	19,8 - 23,1	24,5	100	32	-	2-2	29,23	5
MP122028	KCB-400	400	-	22,2 - 26,1	27,5	150	38	-	3-3	74,32	5
MP122030	KCB-500	500	-	25,7 - 29,2	31,0	160	42	-	3-3	89,09	1
MP122031	KCB-630	630	-	29,3 - 33,2	34,5	160	44	-	3-3	79,10	1
MP122034	KCB-800	800	-	37,6	40,0	200	52	-	3-3	151,00	1
MP122036	KCB-1000	1000	-	42,2	44,0	200	58	-	3-3	198,00	1

* Sektorske vodiče zaokružiti pripadajućim alatima / * Sector shaped conductors must be rounded with round-forming dies

Cu 16 – 300 mm²

Bakrene kabelske spojne čahure, barijerne, 1 - 10 kV, prema DIN 46267, dio 1
Copper compression sleeves, with blind hole, 1 - 10 kV, acc. to DIN 46267, part 1



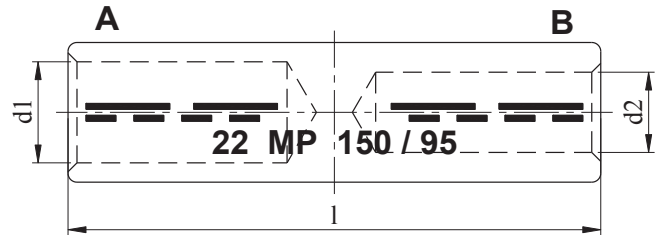
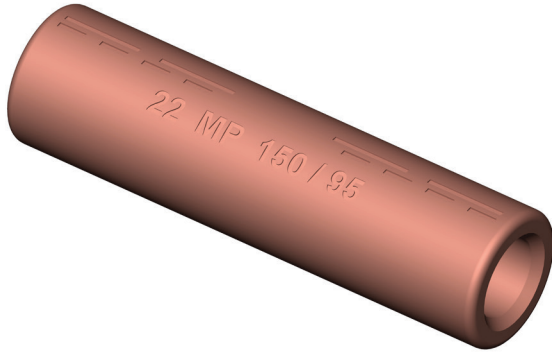
- Za mehanički neopterećene spojeve / For non-tension connections
- Ispitano prema: HRN EN 61238 / Tested according to: IEC 61238
- Materijal: Bakar / Material: Copper EN 13600
- Vanjska površina: Galvanski pokositrena / External surface: Tin-plated
- Za bakrenu užad i vodiče prema / For copper conductors acc. to: DIN 48201, VDE 0295, IEC 60288

Kat. br. Cat. No.	Tip Type	Nazivni presjek vodiča mm ² Nominal cross section mm ²		Promjer vodiča Conductor diameter Ø mm	Dimenzije mm Dimensions mm		Alat br. Tool No.	Broj prešanja No. of compressions		Masa kg Mass kg 100 kom 100 pcs	Pakiranje Package kom pcs
		OV/SV* RM/SM*	OJ/SJ RE/SE		d1	l		meh. mech.	hidr. hydr.		
MP122406	KCB-B-16	16	16	4,6 - 5,3	5,5	50	8	2-2	1-1	1,60	25
MP122408	KCB-B-25	25	35	5,7 - 6,6	7,0	50	10	2-2	1-1	2,00	25
MP122410	KCB-B-35	35	50	6,7 - 7,9	8,2	50	12	2-2	1-1	3,00	25
MP122412	KCB-B-50	50	70	7,8 - 9,10	10,0	65	14	3-3	1-1	4,90	25
MP122414	KCB-B-70	70	95	9,4 - 11,0	11,5	66	16	3-3	1-1	6,60	25
MP122416	KCB-B-95	95	120	11,0 - 12,9	13,5	85	18	4-4	2-2	10,90	25
MP122418	KCB-B-120	120	150	12,4 - 14,5	15,5	86	20	4-4	2-2	11,60	10
MP122420	KCB-B-150	150	185	13,8 - 16,2	17,0	89	22	4-4	2-2	17,50	10
MP122422	KCB-B-185	185	240	15,4 - 18,0	19,0	94	25	4-4	2-2	20,80	10
MP122424	KCB-B-240	240	300	17,6 - 20,6	21,5	100	28	-	2-2	34,60	10
MP122426	KCB-B-300	300	400	19,8 - 23,1	24,5	112	32	-	2-2	35,60	1

* Sektorske vodiče zaokružiti pripadajućim alatima / * Sector shaped conductors must be rounded with round-forming dies

Bakrene kableske redukcijske spojne čahure, 1 – 10 kV, prema DIN 46267, dio 1
Copper reduction compression sleeves, 1 – 10 kV, acc. to DIN 46267, part 1

Cu 10 – 300 mm²



- **Za mehanički neopterećene spojeve / For non-tension connections**
- **Ispitano prema: HRN EN 61238 / Tested according to: IEC 61238**
- **Materijal: Bakar / Material: Copper EN 13600**
- **Vanjska površina: Galvanski pokositrena / External surface: Tin-plated**
- **Za bakrenu užad i vodiče prema / For copper conductors acc. to: DIN 48201, VDE 0295, IEC 60228**

Kat. br. Cat. No.	Tip Type	Nazivni presjek vodiča mm ² Nominal cross section mm ²		Dimenzije mm Dimensions mm			Alat br. Tool No.	Broj prešanja No. of compressions		Masa kg Mass kg	Pakiranje Package
		A OV/SV* RM/SM*	B OV/SV* RM/SM*	d1	d2	l		meh. mech.	hidr. hydr.		
MP123001	KCB-R-10/6	10	6	4,5	3,8	40	8	2-2	-	2,10	50
MP123006	KCB-R-16/6	16	6	5,5	3,8	50	8	2-2	1-1	2,10	50
MP123007	KCB-R-16/10		10		4,5						
MP123004	KCB-R-25/6	25	6	7,0	3,8	50	10	2-2	1-1	2,50	50
MP123008	KCB-R-25/10		10		4,5						
MP123009	KCB-R-25/16	25	16	8,2	5,5	50	12	2-2	1-1	2,20	50
MP123011	KCB-R-35/10		10		4,5						
MP123012	KCB-R-35/16	35	16	10,0	5,5	58	14	3-3	1-1	3,10	50
MP123013	KCB-R-35/25		25		7,0						
MP123014	KCB-R-50/10	50	10	11,5	4,5	58	16	3-3	1-1	7,30	50
MP123015	KCB-R-50/16		16		5,5						
MP123016	KCB-R-50/25	50	25	7,7	7,0	58	16	3-3	1-1	7,10	20
MP123017	KCB-R-50/35		35		8,2						
MP123018	KCB-R-70/10	70	10	8,2	4,5	66	16	3-3	1-1	6,90	20
MP123072	KCB-R-70/16		16		5,5						
MP123019	KCB-R-70/25	70	25	10,0	7,7	66	16	3-3	1-1	6,70	20
MP123020	KCB-R-70/35		35		8,2						
MP123021	KCB-R-70/50	50	50							7,20	

* Sektorske vodiče zaokružiti pripadajućim alatima / * Sector shaped conductors must be rounded with round-forming dies

Cu 10 – 300 mm²

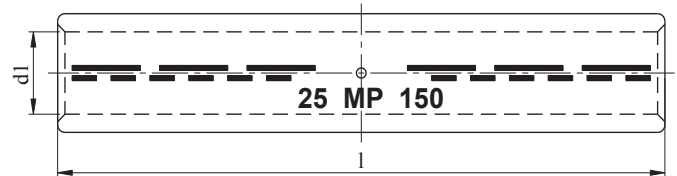
Bakrene kableske redukcijske spojne čahure, 1 – 10 kV, prema DIN 46267, dio 1
Copper reduction compression sleeves, 1 – 10 kV, acc. to DIN 46267, part 1

Kat. br. Cat. No.	Tip Type	Nazivni presjek vodiča mm ² Nominal cross section mm ²		Dimenzije mm Dimensions mm			Alat br. Tool No.	Broj prešanja No. of compressions		Masa kg Mass kg	Pakiranje Package
		A OV/SV* RM/SM*	B OV/SV* RM/SM*	d1	d2	l		meh. mech.	hidr. hydr.		
MP123071	KCB-R-95/16		16		5,5	68				10,00	
MP123022	KCB-R-95/25		25		7,0	68				10,00	
MP123023	KCB-R-95/35	95	35	13,5	8,2	68	18	4-4	2-2	10,00	20
MP123024	KCB-R-95/50		50		10,0	75				11,20	
MP123025	KCB-R-95/70		70		11,5	75				10,60	
MP123026	KCB-R-120/25		25		7,0	75				13,90	
MP123027	KCB-R-120/35		35		8,2	75				13,80	
MP123028	KCB-R-120/50	120	50	15,5	10,0	75	20	4-4	2-2	13,70	20
MP123029	KCB-R-120/70		75		11,5	75				13,10	
MP123030	KCB-R-120/95		95		13,5	86				14,10	
MP123033	KCB-R-150/25		25		7,0	69				15,80	
MP123034	KCB-R-150/35		35		8,2	69				16,00	
MP123035	KCB-R-150/50	150	50	17,0	10,0	77	22	4-4	2-2	17,80	20
MP123036	KCB-R-150/70		75		11,5	77				17,50	
MP123037	KCB-R-150/95		95		13,5	89				20,70	
MP123038	KCB-R-150/120		120		15,5	89				19,80	
MP123040	KCB-R-185/25		25		7,0	86				28,40	
MP123045	KCB-R-185/35		35		8,2	86				28,00	
MP123046	KCB-R-185/50		50		10,0	86				27,20	
MP123041	KCB-R-185/70	185	70	19,0	11,5	86	25	4-4	2-2	21,40	20
MP123042	KCB-R-185/95		95		13,5	91				24,90	
MP123043	KCB-R-185/120		120		15,5	91				23,40	
MP123044	KCB-R-185/150		150		17,0	91				21,90	
MP123049	KCB-R-240/95		95		16,5	94				35,80	
MP123050	KCB-R-240/120	240	120	21,5	15,5	94	28	-	2-2	35,40	10
MP123051	KCB-R-240/150		150		17,0	94				34,00	
MP123052	KCB-R-240/185		185		19,0	97				33,30	
MP123059	KCB-R-300/120		120		15,5	105				48,50	
MP123060	KCB-R-300/150	300	150	24,5	17,0	105	32	-	3	47,70	10
MP123061	KCB-R-300/185		185		19,0	105				45,10	
MP123062	KCB-R-300/240		240		21,5	105				41,70	

* Sektorske vodiče zaokružiti pripadajućim alatima / * Sector shaped conductors must be rounded with round-forming dies

Alumijske kabljske spojne aahure, 1 – 10 kV, prema DIN 46267, dio 2
Aluminium compression sleeves, 1 – 10 kV, acc. to DIN 46267, part 2

Al 16 – 500 mm²



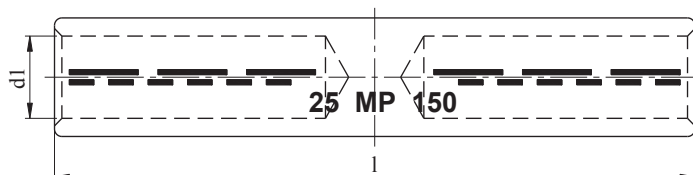
- Za mehanički neopterećene spojeve / For non-tension connections
- Ispitano prema: HRN EN 61238 / Tested according to: IEC 61238
- Materijal: Aluminij / Material: Aluminium **EN 573-1,3**
- Vanjska površina: Čista / External surface: Uncoated
- Unutrašnjost aahura punjena kontaktnom mašću / The sleeves are filled with contact grease
- Za alumijsku užad i vodiče prema / For aluminium conductors acc. to: **DIN 48201, VDE 0295, IEC 60228, EN 50182**

Kat. br. Cat. No.	Tip Type	Nazivni presjek vodiča mm ² Nominal cross section mm ²		Promjer vodiča Conductor diameter Ø mm	Dimenzije mm Dimensions mm		Alat br. Tool No.	Broj prešanja No. of compressions		Masa kg Mass kg 100 kom 100 pcs	Pakiranje Package kom pcs
		OV/SV* RM/SM*	OJ/SJ RE/SE		d1	l		meh. mech.	hidr. hydr.		
MP122102	KCA-16	16	25	4,6 - 5,3	5,6	55	12	3-3	-	1,30	50
MP122104	KCA-25	25	35	5,6 - 6,5	6,8	70	12	4-4	2-2	1,50	50
MP122106	KCA-35	35	50	6,6 - 7,5	8,0	85	14	5-5	2-2	2,40	50
MP122108	KCA-50	50	70	7,7 - 8,6	10,0	85	16	5-5	2-2	2,80	50
MP122110	KCA-70	70	95	9,3 - 10,2	11,5	105	18	6-6	3-3	4,70	25
MP122112	KCA-95	95	120	11,0 - 12,0	13,5	105	22	6-6	3-3	6,70	25
MP122114	KCA-120	120	150	12,3 - 13,5	15,0	105	22	6-6	3-3	6,70	20
MP122116	KCA-150	150	185	13,7 - 15,0	16,5	125	25	6-6	3-3	9,30	20
MP122118	KCA-185	185	240	15,3 - 16,8	18,5	125	28	6-6	3-3	9,70	20
MP122120	KCA-240	240	300	17,6 - 19,2	21,5	145	32	8-8	3-3	17,20	10
MP122122	KCA-300	300	-	19,7 - 21,6	23,5	145	34	8-8	3-3	21,00	10
MP122124	KCA-400	400	-	22,3 - 24,6	26,0	210	38	-	4-4	37,20	10
MP122126	KCA-500	500	-	25,3 - 27,6	29,0	210	44	-	4-4	49,80	10

* Sektorske vodiče zaokružiti pripadajućim alatima / * Sector shaped conductors must be rounded with round-forming dies

Al 16 – 300 mm²

Aluminijske kabelske spojne čahure, barijerne, 1 - 10 kV, prema DIN 46267, dio 2
Aluminium compression sleeves, with blind hole, 1 - 10 kV, acc. to DIN 46267, part 2



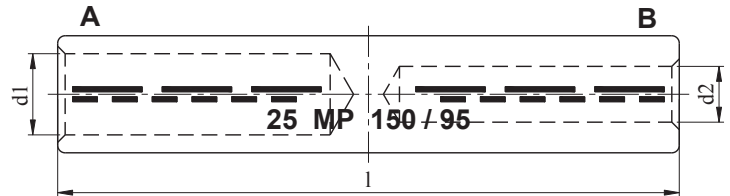
- Za mehanički neopterećene spojeve / For non-tension connections
- Ispitano prema: HRN EN 61238 / Tested according to: IEC 61238
- Materijal: Aluminij / Material: Aluminium **EN 573-1,3**
- Vanjska površina: Čista / External surface: Uncoated
- Unutrašnjost čahura punjena kontaktnom mašću / The sleeves are filled with contact grease
- Za aluminijsku užad i vodiče prema / For aluminium conductors acc. to: **DIN 48201, VDE 0295, IEC 60228, EN 50182**

Kat. br. Cat. No.	Tip Type	Nazivni presjek vodiča mm ² Nominal cross section mm ²		Promjer vodiča Conductor diameter Ø mm	Dimenzije mm Dimensions mm		Alat br. Tool No.	Broj prešanja No. of compressions		Masa kg Mass kg 100 kom 100 pcs	Pakiranje Package kom pcs
		OV/SV* RM/SM*	OJ/SJ RE/SE		d1	l		meh. mech.	hidr. hydr.		
MP122502	KCA-B-16	16	25	4,6 - 5,3	5,6	75	12	3-3	-	2,10	50
MP122504	KCA-B-25	25	35	5,6 - 6,5	6,8	75	12	4-4	2-2	1,90	50
MP122506	KCA-B-35	35	50	6,6 - 7,5	8,0	90	14	5-5	2-2	3,00	50
MP122508	KCA-B-50	50	70	7,7 - 8,6	10,0	90	16	5-5	2-2	3,80	50
MP122510	KCA-B-70	70	95	9,3 - 10,2	11,5	112	18	6-6	3-3	5,90	25
MP122512	KCA-B-95	95	120	11,0 - 12,0	13,5	120	22	6-6	3-3	9,50	25
MP122514	KCA-B-120	120	150	12,3 - 13,5	15,0	120	22	6-6	3-3	9,70	20
MP122516	KCA-B-150	150	185	13,7 - 15,0	16,5	130	25	6-6	3-3	11,20	20
MP122518	KCA-B-185	185	240	15,3 - 16,8	18,5	130	28	6-6	3-3	16,14	20
MP122520	KCA-B-240	240	300	17,6 - 19,2	21,5	148	32	8-8	3-3	21,60	10
MP122522	KCA-B-300	300	-	19,7 - 21,6	23,5	155	34	8-8	3-3	22,50	10

* Sektorske vodiče zaokružiti pripadajućim alatima / * Sector shaped conductors must be rounded with round-forming dies

Alumijske kabelaške redukcijske spojne čahure, 1 – 10 kV
Aluminium reduction compression sleeves, 1 – 10 kV

Al 16 – 300 mm²



- Za mehanički neopterećene spojeve / For non-tension connections
- Ispitano prema: HRN EN 61238 / Tested according to: IEC 61238
- Materijal: Aluminij / Material: Aluminium **EN 573-1,3**
- Vanjska površina: Čista / External surface: Uncoated
- Unutrašnjost čahura punjena kontaktnom mašću / The sleeves are filled with contact grease
- Za alumijsku užad i vodiče prema / For aluminium conductors acc. to: **DIN 48201, VDE 0295, IEC 60228, EN 50182**

Kat. br. Cat. No.	Tip Type	Nazivni presjek vodiča mm ² Nominal cross section mm ²				Promjer vodiča Conductor diameter Ø mm	Dimenzije mm Dimensions mm			Alat br. Tool No.	Broj prešanja No. of compressions		Masa kg Mass kg	Pakiranje Package
		A OV/SV* RM/SM*	OJ/SJ RE/SE	B OV/SV* RM/SM*	OJ/SJ RE/SE		d1	d2	l		meh. mech.	hidr. hydr.		
MP123108	KCA-R-16/10	16	25	10	16	4,6 - 5,3	5,6	4,5	75	12	4-4	2-2	1,80	50
MP123110	KCA-R-25/10	25	35	10	16	5,6 - 6,5	6,8	4,5	75	12	4-4	2-2	1,75	50
MP123109	KCA-R-25/16			16	25			5,6					1,70	
MP123111	KCA-R-35/10			10	16			4,5					2,80	
MP123112	KCA-R-35/16	35	50	16	25	6,6 - 7,5	8,0	5,6	85	14	4-4	2-2	2,70	50
MP123113	KCA-R-35/25			25	35			6,8					2,60	
MP123115	KCA-R-50/16			16	25			5,6					3,90	
MP123116	KCA-R-50/25	50	70	25	35	7,7 - 8,6	9,8	6,8	90	16	4-4	2-2	3,80	50
MP123117	KCA-R-50/35			35	50			8,0					3,70	
MP123118	KCA-R-70/16			16	25			5,6					6,10	
MP123119	KCA-R-70/25	70	95	25	35	9,3 - 10,2	11,5	6,8	100	18	6-6	3-3	6,00	20
MP123120	KCA-R-70/35			35	50			8,0					5,90	
MP123121	KCA-R-70/50			50	70			9,8					5,80	
MP123122	KCA-R-95/25			25	35			6,8	105				7,80	
MP123123	KCA-R-95/35	95	120	35	50	11,0 - 12,0	13,5	8,0	105	22	6-6	3-3	7,60	20
MP123124	KCA-R-95/50			50	70			9,8	105				7,40	
MP123125	KCA-R-95/70			70	95			11,5	115				8,90	

* Sektorske vodiče zaokružiti pripadajućim alatima / * Sector shaped conductors must be rounded with round-forming dies

Al 16 – 300 mm²

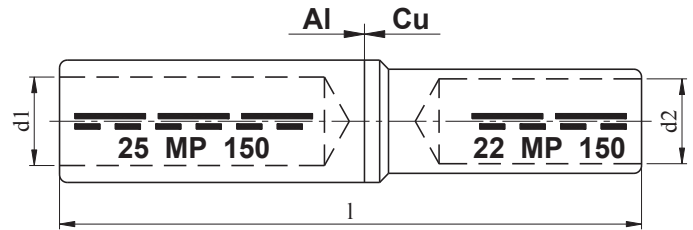
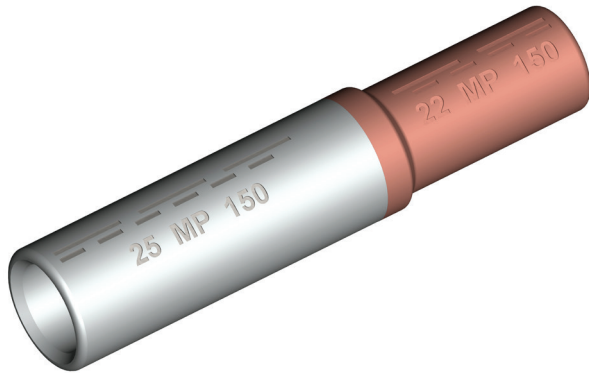
Aluminijske kabelaške redukcione spojne čahure, 1 - 10 kV, prema DIN 46267, dio 2
Aluminium reduction compression sleeves, 1 - 10 kV, acc. to DIN 46267, part 2

Kat. br. Cat. No.	Tip Type	Nazivni presjek vodiča mm ² Nominal cross section mm ²				Promjer vodiča Conductor diameter Ø mm	Dimenzije mm Dimensions mm			Broj prešanja No. of compressions			Masa kg Mass kg 100 kom 100 pcs	Pakiranje Package kom pcs
		A		B			d1	d2	l	Alat br. Tool No.	meh. mech.	hidr. hydr.		
		OV/SV* RM/SM*	OJ/SJ RE/SE	OV/SV* RM/SM*	OJ/SJ RE/SE									
MP123126	KCA-R-120/25			25	35		6,8	105				8,80		
MP123127	KCA-R-120/35			35	50		8,0	105				8,50		
MP123128	KCA-R-120/50	120	150	50	70	12,3 - 13,5	15,0	9,8	105	22	6-6	3-3	8,30	20
MP123129	KCA-R-120/70			70	95			11,5	120				10,80	
MP123130	KCA-R-120/95			95	120			13,5	120				10,40	
MP123132	KCA-R-150/16			16	25			5,6	110				11,00	
MP123133	KCA-R-150/25			25	35			6,8	110				10,80	
MP123134	KCA-R-150/35			35	50			8,0	110				10,50	
MP123135	KCA-R-150/50	150	185	50	70	13,7 - 15,0	16,5	9,8	110	25	6-6	3-3	10,30	20
MP123136	KCA-R-150/70			70	95			11,5	125				12,40	
MP123137	KCA-R-150/95			95	120			13,5	125				12,20	
MP123138	KCA-R-150/120			120	150			15,0	125				12,00	
MP123140	KCA-R-185/50			50	70			9,8	125				17,00	
MP123141	KCA-R-185/70			70	95			11,5	125				16,50	
MP123142	KCA-R-185/95	185	240	95	120	15,3 - 16,8	18,5	13,5	125	28	6-6	3-3	16,30	20
MP123143	KCA-R-185/120			120	150			15,0	125				16,20	
MP123144	KCA-R-185/150			150	185			16,5	130				16,90	
MP123150	KCA-R-240/120			120	150			15,0	148				20,80	
MP123151	KCA-R-240/150	240	300	150	185	17,6 - 19,2	21,5	16,5	148	32	8-8	3-3	22,30	10
MP123152	KCA-R-240/185			185	240			18,5	148				22,00	
MP123162	KCA-R-300/150			150	185			16,5	155				25,90	
MP123161	KCA-R-300/185	300	-	185	240	19,7 - 21,6	23,5	18,5	155	34	-	4-4	24,70	10
MP123160	KCA-R-300/240			240	300			21,5	155				24,20	

* Sektorske vodiče zaokružiti pripadajućim alatima / * Sector shaped conductors must be rounded with round-forming dies

Alumijsko-bakrene kabelske spojne čahure, 1 - 10 kV
Aluminium-copper compression sleeves, 1 - 10 kV

Al/Cu 16 – 300 mm²



- **Za mehanički neopterećene spojeve / For non-tension connections**
- **Ispitano prema: HRN EN 61238 / Tested according to: IEC 61238**
- **Materijal / Material:**
 - **Aluminij / Aluminium** **EN 573-1,3**
 - **Bakar / Copper** **EN 13600**
- **Vanjska površina: Čista / External surface: Uncoated**
- **Unutrašnjost aluminijskog dijela čahura punjena kontaktnom mašču / The aluminium part of sleeves are filled with contact grease**
- **Za aluminijsku i bakrenu užad i vodiče prema / For aluminium and copper conductors acc. to: **DIN 48201, VDE 0295, IEC 60228, EN 50182****

Kat. br. Cat. No.	Tip Type	Nazivni presjek vodiča mm ² Nominal cross section mm ²		Promjer vodiča Conductor diameter		Dimenzije mm Dimensions mm			Alat br. Tool No.	Broj prešanja No. of compressions				Masa kg Mass kg	Pakiranje Package		
		Ø mm		d1	d2	l	meh. mech.			hidr. hydr.		100 kom 100 pcs	kom pcs				
		Al	Cu				Al	Cu _{max}		Al	Cu					Al	Cu
MP124007	KCAB-16/2,5		2,5		2,2	2,5			6					2,80			
MP124008	KCAB-16/4		4		2,7	3,0			6					2,60			
MP124009	KCAB-16/6		6		3,3	3,6			6					2,40			
MP124010	KCAB-16/10	16	25	10	4,6 - 5,3	4,2	5,4	4,5	67	12	6	3	2	-	-	2,20	25
MP124011	KCAB-16/16		16		5,3	5,5				8						3,20	
MP124005	KCAB-16/25		25		6,6	7,0				10						3,50	
MP124006	KCAB-16/35		35		7,9	8,2				12						3,40	
MP124012	KCAB-25/2,5		2,5		2,2	2,5				6						2,70	
MP124013	KCAB-25/4		4		2,7	3,0				6						2,50	
MP124014	KCAB-25/6		6		3,3	3,6				6						2,30	
MP124015	KCAB-25/10	25	35	10	5,6 - 6,5	4,2	6,8	4,5	67	12	6	4	2			2,10	25
MP124016	KCAB-25/16		16		5,3	5,5				8						3,00	
MP124017	KCAB-25/25		25		6,6	7,0				10				2	1	3,50	
MP124110	KCAB-35/6		6		3,3	3,6				6						4,40	
MP124024	KCAB-35/10		10		4,2	4,5				6						4,30	
MP124020	KCAB-35/16		16		5,3	5,5				8						4,50	
MP124021	KCAB-35/25	35	50	25	6,6 - 7,5	6,6	8,0	7,0	76	14	10	5	2			4,50	25
MP124022	KCAB-35/35		35		7,9	8,2				12				2	1	4,60	
MP124023	KCAB-35/50		50		9,1	10,0				14						4,70	
MP124030	KCAB-50/6		6		3,3	3,6		7,6		6						6,00	
MP124029	KCAB-50/10		10		4,2	4,5		7,6		6						5,90	
MP124025	KCAB-50/16		16		5,3	5,5		7,6		8						5,80	
MP124026	KCAB-50/25	50	70	25	7,7 - 8,6	6,6	9,8	7,0	76	16	10	5	2			6,10	20
MP124027	KCAB-50/35		35		7,9	8,2		7,6		12				2	1	6,20	
MP124028	KCAB-50/50		50		9,1	10,0		8,3		14						7,20	
MP124094	KCAB-50/70		70		11,0	11,5		8,3		16						7,80	

* Sektorske vodiče zaokružiti pripadajućim alatima / * Sector shaped conductors must be rounded with round-forming dies

Al/Cu 16 - 300 mm²

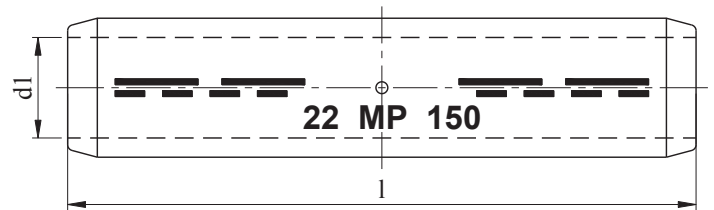
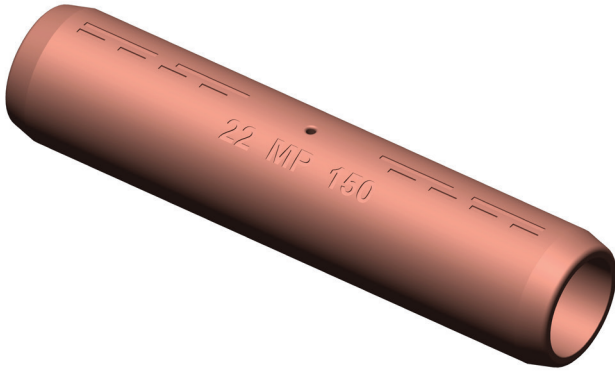
Aluminijsko-bakrene kabelske spojne čahure, 1 - 10 kV
Aluminium-copper compression sleeves, 1 - 10 kV

Kat. br. Cat. No.	Tip Type	Nazivni presjek vodiča mm ² Nominal cross section mm ²			Promjer vodiča Conductor diameter		Dimenzije mm Dimensions mm			Broj prešanja No. of compressions				Masa kg Mass kg	Pakiranje Package		
		Al		Cu	Ø mm		d1	d2	l	Alat br. Tool No.		meh. mech.		hidr. hydr.		100 kom 100 pcs	kom pcs
		OV/SV* RM/SM*	OJ/SJ RE/SE	OV/SV* RM/SM*	Al	Cu _{max}				Al	Cu	Al	Cu	Al	Cu		
MP124037	KCAB-70/6			6		3,3		3,6	86		6					7,90	
MP124031	KCAB-70/10			10		4,2		4,5	86		6		2			7,80	
MP124032	KCAB-70/16			16		5,3		5,5	86		8					7,80	
MP124033	KCAB-70/25	70	95	25	9,3 - 10,2	6,6	11,2	7,0	86	18	10	5				8,00	20
MP124034	KCAB-70/35			35		7,9		8,2	86		12		3	2	1	8,20	
MP124035	KCAB-70/50			50		9,1		10,0	93		14					12,20	
MP124036	KCAB-70/70			70		11,0		11,5	93		16		4			12,90	
MP124040	KCAB-95/25			25		6,6		7,0	91		10		2			12,00	
MP124041	KCAB-95/35			35		7,9		8,2	91		12				1	12,30	
MP124042	KCAB-95/50	95	120	50	11,0 - 12,0	9,1	13,2	10,0	98	22	14	6	3	3		14,00	20
MP124043	KCAB-95/70			70		11,0		11,5	98		16		3		1	14,20	
MP124044	KCAB-95/95			95		12,9		13,5	107		18					16,00	
MP124045	KCAB-95/120			120		14,5		15,5	107		20		4		2	17,00	
MP124050	KCAB-120/25			25		6,6		7,0	91		10		2			12,80	
MP124051	KCAB-120/35			35		7,9		8,2	91		12				1	13,20	
MP124052	KCAB-120/50	120	150	50	12,3 - 13,5	9,1	14,7	10,0	98	22	14	6	3	3		14,30	20
MP124053	KCAB-120/70			70		11,0		11,5	98		16					14,50	
MP124054	KCAB-120/95			95		12,9		13,5	108		18		4		2	16,30	
MP124055	KCAB-120/120			120		14,5		15,5	108		20					16,50	
MP124057	KCAB-150/16			16		5,3		5,5	107		8					10,00	
MP124058	KCAB-150/25			25		6,6		7,0	107		10		2			9,50	
MP124059	KCAB-150/35			35		7,9		8,2	107		12				1	7,50	
MP124060	KCAB-150/50			50		9,1		10,0	107		14					9,00	
MP124061	KCAB-150/70	150	185	70	13,7 - 15,0	11,0	16,3	11,5	107	25	16	6	3	3		12,20	15
MP124062	KCAB-150/95			95		12,9		13,5	115		18					14,90	
MP124063	KCAB-150/120			120		14,5		15,5	115		20					14,90	
MP124064	KCAB-150/150			150		16,2		17,0	115		22		4		2	16,70	
MP124066	KCAB-150/185			185		18,0		19,0	115		25					17,50	
MP124065	KCAB-150/240			240		20,6		21,5	125		28					19,50	
MP124068	KCAB-185/35			35		7,9		8,2	107		12		2			1,50	
MP124069	KCAB-185/50			50		9,1		10,0	107		14				1	11,70	
MP124070	KCAB-185/70			70		11,0		11,5	107		16		3			12,00	
MP124071	KCAB-185/95	185	240	95	15,3 - 16,8	12,9	18,3	13,5	105	28	18	6		3		14,10	15
MP124072	KCAB-185/120			120		14,5		15,5	105		20				2	15,50	
MP124073	KCAB-185/150			150		16,2		17,0	105		22		4			16,80	
MP124074	KCAB-185/185			185		18,0		19,0	105		25					18,00	
MP124077	KCAB-240/50			50		9,1		10,0	117		14				1	25,50	
MP124078	KCAB-240/70			70		11,0		11,5	117		16					25,20	
MP124079	KCAB-240/95			95		12,9		13,5	125		18		4			26,00	
MP124080	KCAB-240/120	240	300	120	17,6 - 19,2	14,5	21,0	15,5	129	32	20	8		3		27,70	15
MP124081	KCAB-240/150			150		16,2		17,0	129		22				2	28,00	
MP124082	KCAB-240/185			185		18,0		19,0	133		25		5			29,60	
MP124083	KCAB-240/240			240		20,6		21,5	133		28					31,00	
MP124085	KCAB-300/120			120		14,5		15,5	130		20		4			29,00	
MP124086	KCAB-300/150			150		16,2		17,0	130		22					30,00	
MP124087	KCAB-300/185	300	-	185	19,7 - 21,6	18,0	23,5	19,0	132	34	25	-	5	3	2	31,00	10
MP124088	KCAB-300/240			240		20,6		21,5	132		28					33,00	
MP124089	KCAB-300/300			300		23,1		24,5	145		32					36,00	

* Sektorske vodiče zaokružiti pripadajućim alatima / * Sector shaped conductors must be rounded with round-forming dies

Bakrene kabelske spojne čahure, 10 - 35 kV
Copper compression sleeves, 10 - 35 kV

Cu 16 – 500 mm²



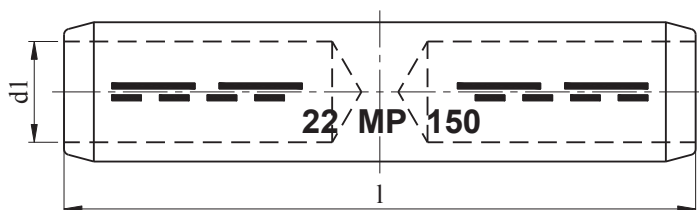
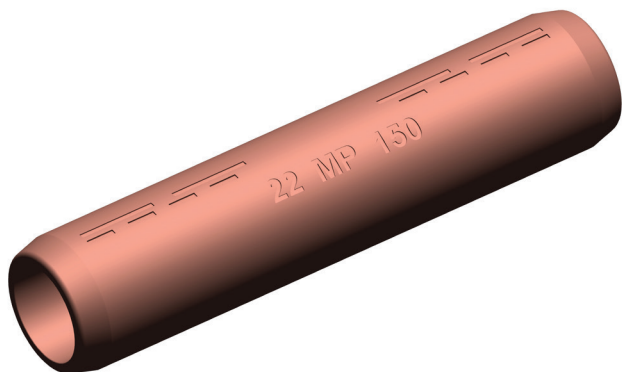
- **Za mehanički neopterećene spojeve / For non-tension connections**
- **Ispitano prema: HRN EN 61238 / Tested according to: IEC 61238**
- **Materijal: Bakar / Material: Copper EN 13600**
- **Vanjska površina: Galvanski pokositrena / External surface: Tin-plated**
- **Za bakrene vodiče prema / For copper conductorss acc. to: DIN 48201, VDE 0295, IEC 60228**

Kat. br. Cat. No.	Tip Type	Nazivni presjek vodiča mm ² Nominal cross section mm ²	Promjer vodiča Conductor diameter	Dimenzije mm Dimensions mm		Alat br. Tool No.	Broj prešanja No. of compressions		Masa kg Mass kg	Pakiranje Package
		OV/SV* RM/SM*	Ø mm	d1	l		meh. mech.	hidr. hydr.	100 kom 100 pcs	kom pcs
MP122206	KCB-V-16	16	4,6 - 5,3	5,5	50	8	2-2	1-1	1,50	25
MP122208	KCB-V-25	25	5,7 - 6,6	7,0	50	10	2-2	1-1	1,80	25
MP122210	KCB-V-35	35	6,7 - 7,9	8,2	50	12	2-2	1-1	3,10	25
MP122212	KCB-V-50	50	7,8 - 9,1	10,0	65	14	3-3	1-1	4,70	25
MP122214	KCB-V-70	70	9,4 - 11,0	11,5	65	16	3-3	1-1	5,90	25
MP122216	KCB-V-95	95	11,0 - 12,9	13,5	90	18	4-4	2-2	11,10	25
MP122218	KCB-V-120	120	12,4 - 14,5	15,5	90	20	4-4	2-2	22,6	10
MP122220	KCB-V-150	150	13,8 - 16,2	17,0	106	22	4-4	2-2	25,40	10
MP122222	KCB-V-185	185	15,4 - 18,0	19,0	106	25	4-4	2-2	21,30	10
MP122224	KCB-V-240	240	17,6 - 20,6	21,5	110	28	-	2-2	29,70	10
MP122224	KCB-V-300	300	19,8 - 23,1	24,5	116	32	-	2-2	34,80	5
MP122228	KCB-V-400	400	22,2 - 26,1	27,5	160	38	-	3-3	74,80	5
MP122230	KCB-V-500	500	25,7 - 29,2	31,0	175	42	-	3-3	98,10	5

* Sektorske vodiče zaokružiti pripadajućim alatima / * Sector shaped conductors must be rounded with round-forming dies

Cu 25 – 300 mm²

Bakrene kabelske spojne čahure, barijerne, 10 - 35 kV
Copper compression sleeves, with blind hole, 10 - 35 kV



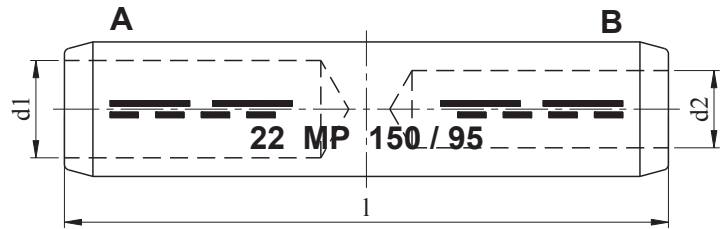
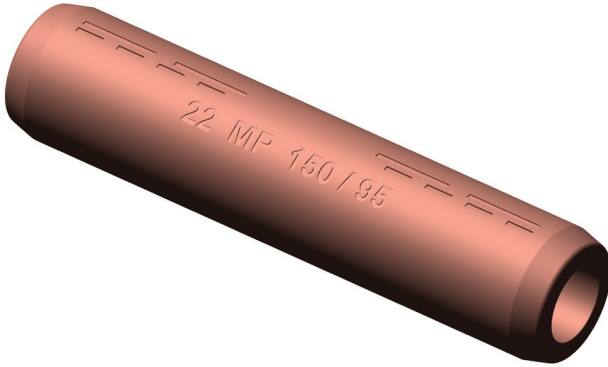
- Za mehanički neopterećene spojeve / For non-tension connections
- Ispitano prema: HRN EN 61238 / Tested according to: IEC 61238
- Materijal: Bakar / Material: Copper EN 13600
- Vanjska površina: Galvanski pokositrena / External surface: Tin-plated
- Za bakrene vodiče prema / For copper conductors acc. to: DIN 48201, VDE 0295, IEC 60228

Kat. br. Cat. No.	Tip Type	Nazivni presjek vodiča mm ² Nominal cross section mm ²	Promjer vodiča Conductor diameter	Dimenzije mm Dimensions mm		Alat br. Tool No.	Broj prešanja No. of compressions		Masa kg Mass kg	Pakiranje Package
		OV/SV* RM/SM*	Ø mm	d1	l		meh. mech.	hidr. hydr.	100 kom 100 pcs	kom pcs
MP122608	KCB-VB-25	25	5,7 - 6,6	7,0	50	10	2-2	1-1	2,00	25
MP122610	KCB-VB-35	35	6,7 - 7,9	8,2	50	12	2-2	1-1	3,10	25
MP122612	KCB-VB-50	50	7,8 - 8,1	10,0	70	14	3-3	1-1	6,40	25
MP122614	KCB-VB-70	70	9,4 - 11,0	11,5	70	16	3-3	1-1	8,00	25
MP122616	KCB-VB-95	95	11,0 - 12,9	13,5	90	18	4-4	2-2	11,20	25
MP122618	KCB-VB-120	120	12,4 - 14,5	15,5	90	20	4-4	2-2	13,00	10
MP122620	KCB-VB-150	150	13,8 - 16,2	17,0	106	22	4-4	2-2	19,50	10
MP122622	KCB-VB-185	185	15,4 - 18,0	19,0	106	25	4-4	2-2	24,10	10
MP122624	KCB-VB-240	240	17,6 - 20,6	21,5	115	28	-	2-2	35,30	10
MP122626	KCB-VB-300	300	19,8 - 23,1	24,5	122	32	-	2-2	41,50	5

* Sektorske vodiče zaokružiti pripadajućim alatima / * Sector shaped conductors must be rounded with round-forming dies

Bakrene kableske redukcijske spojne čahure, 10 - 35 kV
Copper reduction compression sleeves, 10 - 35 kV

Cu 25 – 300 mm²



- Za mehanički neopterećene spojeve / For non-tension connections
- Ispitano prema: HRN EN 61238 / Tested according to: IEC 61238
- Materijal: Bakar / Material: Copper EN 13600
- Vanjska površina: Galvanski pokositrena / External surface: Tin-plated
- Za bakrene vodiče prema / For copper conductors acc. to: DIN 48201, VDE 0295, IEC 60228

Kat. br. Cat. No.	Tip Type	Nazivni presjek vodiča mm ² Nominal cross section mm ²		Promjer vodiča Conductor diameter Ø mm	Dimenzije mm Dimensions mm			Alat br. Tool No.	Broj prešanja No. of compressions		Masa kg Mass kg 100 kom 100 pcs	Pakiranje Package kom pcs
		A OV/SV* RM/SM*	B OV/SV* RM/SM*		d1	d2	l		meh. mech.	hidr. hydr.		
MP123208	KCB-VR-25/10	25	10	5,7 - 6,6	7,0	4,5	50	10	2-2	1-1	2,90	20
MP123209	KCB-VR-25/16		16			5,5					2,80	
MP123211	KCB-VR-35/10		10			4,5					3,30	
MP123212	KCB-VR-35/16	35	16	6,6 - 7,5	8,2	5,5	50	12	2-2	1-1	3,20	20
MP123213	KCB-VR-35/25		25			7,0					3,20	
MP123215	KCB-VR-50/16		16			5,5					5,50	
MP123216	KCB-VR-50/25	50	25	7,7 - 8,6	10,0	7,0	70	14	3-3	1-1	5,30	20
MP123217	KCB-VR-50/35		35			8,2					5,20	
MP123220	KCB-VR-70/35		35			8,2					6,90	
MP123221	KCB-VR-70/50	70	50	9,3 - 10,2	11,5	10,0	70	16	3-3	1-1	6,70	20
MP123224	KCB-VR-95/50		50			10,0					11,60	
MP123225	KCB-VR-95/70	95	70	11,0 - 12,0	13,5	11,5	90	18	4-4	2-2	11,30	20
MP123228	KCB-VR-120/50		50			10,0					13,30	
MP123229	KCB-VR-120/70	120	70	12,3 - 3,5	15,5	11,5	90	20	4-4	2-2	12,90	20
MP123230	KCB-VR-120/95		95			13,5					12,60	

* Sektorske vodiče zaokružiti pripadajućim alatima / * Sector shaped conductors must be rounded with round-forming dies

Cu 25 – 300 mm²

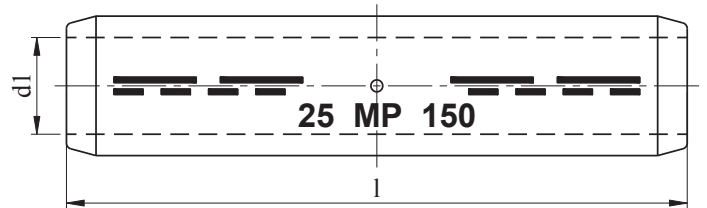
Bakrene kabliske redukcijske spojne čahure, 10 - 35 kV
Copper reduction compression sleeves, 10 - 35 kV

Kat. br. Cat. No.	Tip Type	Nazivni presjek vodiča mm ² Nominal cross section mm ²		Promjer vodiča Conductor diameter Ø mm	Dimenzije mm Dimensions mm			Alat br. Tool No.	Broj prešanja No. of compressions		Masa kg Mass kg 100 kom 100 pcs	Pakiranje Package kom pcs
		A OV/SV* RM/SM*	B OV/SV* RM/SM*		d1	d2	l		meh. mech.	hidr. hydr.		
MP123235	KCB-VR-150/50		50			10,0				24,80		
MP123236	KCB-VR-150/70	150	70	13,8 - 16,2	17,0	11,5	106	22	4-4	2-2	23,50	20
MP123237	KCB-VR-150/95		95			13,5					21,50	
MP123238	KCB-VR-150/120		120			15,5					20,30	
MP123242	KCB-VR-185/95		95			13,5					28,00	
MP123243	KCB-VR-185/120	185	120	15,4 - 18,0	19,0	15,5	106	25	4-4	2-2	25,50	20
MP123244	KCB-VR-185/150		150			17,0					23,60	
MP123249	KCB-VR-240/95		95			13,5				40,00		
MP123250	KCB-VR-240/120	240	120	17,6 - 20,6	21,5	15,5	110	28	-	2-2	36,00	10
MP123251	KCB-VR-240/150		150			17,0					33,80	
MP123252	KCB-VR-240/185		185			19,0					32,60	
MP123260	KCB-VR-300/150		150			17,0					50,80	
MP123261	KCB-VR-300/185	300	185	19,8 - 23,1	24,0	19,0	116	32	-	2-2	49,90	10
MP123262	KCB-VR-300/240		240			21,5					49,50	

* Sektorske vodiče zaokružiti pripadajućim alatima / * Sector shaped conductors must be rounded with round-forming dies

Alumijske kabljske spojne aature, 10 - 35 kV
Aluminium compression sleeves, 10 - 35 kV

Al 25 – 500 mm²



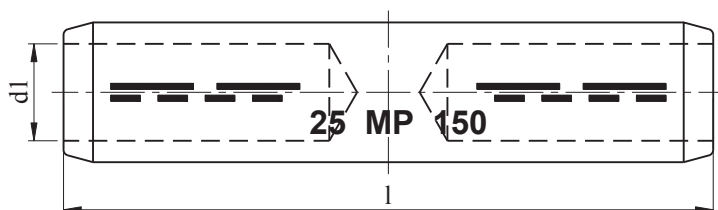
- Za mehanički neopterećene spojeve / For non-tension connections
- Ispitano prema: HRN EN 61238 / Tested according to: IEC 61238
- Materijal: Aluminij / Material: Aluminium **EN 573-1,3**
- Vanjska površina: Čista / External surface: Uncoated
- Unutrašnjost aaura punjena kontaktnom mašću / The sleeves are filled with contact grease
- Za alumijske vodiče prema / For aluminium conductors acc. to: **DIN 48201, VDE 0295, IEC 60228, EN 50182**

Kat. br. Cat. No.	Tip Type	Nazivni presjek vodiča mm ² Nominal cross section mm ²	Promjer vodiča Conductor diameter	Dimenzije mm Dimensions mm		Alat br. Tool No.	Broj prešanja No. of compressions		Masa kg Mass kg	Pakiranje Package
		OV/SV* RM/SM*	Ø mm	d1	l		meh. mech.	hidr. hydr.	100 kom 100 pcs	kom pcs
MP122304	KCA-V-25	25	5,6 - 6,5	6,8	90	12	4-4	2-2	2,90	25
MP122306	KCA-V-35	35	6,6 - 7,5	8,0	90	14	4-4	2-2	2,70	25
MP122308	KCA-V-50	50	7,7 - 8,6	10,0	90	16	4-4	2-2	3,40	25
MP122310	KCA-V-70	70	9,3 - 10,2	11,5	95	18	4-4	2-2	4,60	25
MP122312	KCA-V-95	95	11,0 - 12,0	13,5	100	22	4-4	2-2	6,80	25
MP122314	KCA-V-120	120	12,3 - 13,5	15,0	105	22	4-4	2-2	7,40	25
MP122316	KCA-V-150	150	13,7 - 15,0	16,5	105	25	4-4	2-2	8,70	25
MP122318	KCA-V-185	185	15,3 - 16,8	18,5	125	28	5-5	2-2	13,40	20
MP122320	KCA-V-240	240	17,6 - 19,2	21,5	125	32	5-5	2-2	15,70	20
MP122322	KCA-V-300	300	19,7 - 21,6	23,5	125	34	5-5	2-2	16,30	10
MP122324	KCA-V-400	400	22,3 - 24,6	26,0	150	38	-	3-3	25,80	10
MP122326	KCA-V-500	500	25,3 - 27,6	29,0	170	44	-	3-3	32,00	10

* Sektorske vodiče zaokružiti pripadajućim alatima / * Sector shaped conductors must be rounded with round-forming dies

Al 25 – 240 mm²

Aluminijske kabljske spojne čahure, barijerne, 10 - 35 kV
Aluminium compression sleeves, with blind hole, 10 - 35 kV



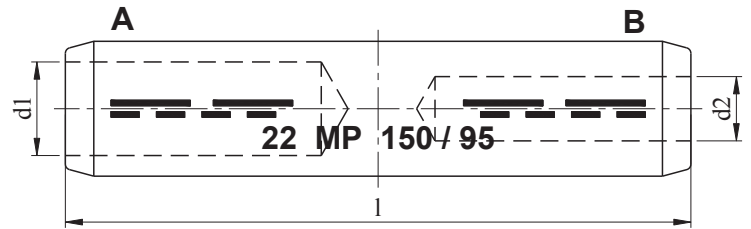
- Za mehanički neopterećene spojeve / For non-tension connections
- Ispitano prema: HRN EN 61238 / Tested according to: IEC 61238
- Materijal: Aluminij / Material: Aluminium **EN 573-1,3**
- Vanjska površina: Čista / External surface: Uncoated
- Unutrašnjost čahura punjena kontaktnom mašću / The sleeves are filled with contact grease
- Za aluminijske vodiče prema / For aluminium conductors acc. to: **DIN 48201, VDE 0295, IEC 60228, EN 50182**

Kat. br. Cat. No.	Tip Type	Nazivni presjek vodiča mm ² Nominal cross section mm ²	Promjer vodiča Conductor diameter	Dimenzije mm Dimensions mm		Alat br. Tool No.	Broj prešanja No. of compressions		Masa kg Mass kg	Pakiranje Package
		OV/ISV* RM/SM*	Ø mm	d1	l		meh. mech.	hidr. hydr.	100 kom 100 pcs	kom pcs
MP122704	KCA-VB-25	25	5,6 - 6,5	6,8	90	12	4-4	2-2	1,90	25
MP122706	KCA-VB-35	35	6,6 - 7,5	8,0	90	14	4-4	2-2	3,00	25
MP122708	KCA-VB-50	50	7,7 - 8,6	10,0	90	16	4-4	2-2	3,80	25
MP122710	KCA-VB-70	70	9,3 - 10,2	11,5	100	18	4-4	2-2	5,90	25
MP122712	KCA-VB-95	95	11,0 - 12,0	13,5	105	22	4-4	2-2	9,20	25
MP122714	KCA-VB-120	120	12,3 - 13,5	15,0	110	22	4-4	2-2	10,30	25
MP122716	KCA-VB-150	150	13,7 - 15,0	16,5	110	25	4-4	2-2	12,00	25
MP122718	KCA-VB-185	185	15,3 - 16,8	18,5	130	28	5-5	2-2	15,60	20
MP122720	KCA-VB-240	240	17,6 - 19,2	21,5	136	32	5-5	2-2	19,50	20

* Sektorske vodiče zaokružiti pripadajućim alatima / * Sector shaped conductors must be rounded with round-forming dies

Alumijske kabelaške redukcijske spojne čahure, 10 - 35 kV
Aluminium reduction compression sleeves, 10 - 35 kV

Al 25 – 300 mm²



- Za mehanički neopterećene spojeve / For non-tension connections
- Ispitano prema: HRN EN 61238 / Tested according to: IEC 61238
- Materijal: Aluminij / Material: Aluminium **EN 573-1,3**
- Vanjska površina: Čista / External surface: Uncoated
- Unutrašnjost čahura punjena kontaktnom mašću / The sleeves are filled with contact grease
- Za alumijske vodiče prema / For aluminium conductors acc. to: **DIN 48201, VDE 0295, IEC 60228, EN 50182**

Kat. br. Cat. No.	Tip Type	Nazivni presjek vodiča mm ² Nominal cross section mm ²		Promjer vodiča Conductor diameter Ø mm	Dimenzije mm Dimensions mm			Alat br. Tool No.	Broj prešanja No. of compressions		Masa kg Mass kg 100 kom 100 pcs	Pakiranje Package kom pcs
		A OV/SV* RM/SM*	B OV/SV* RM/SM*		d1	d2	l		meh. mech.	hydr. hydr.		
MP123309	KCA-VR-25/16	25	16	5,6 - 6,5	6,8	5,6	88	12	4-4	2-2	2,00	25
MP123312	KCA-VR-35/16	35	16	6,6 - 7,5	8,0	5,6	90	14	4-4	2-2	2,90	25
MP123313	KCA-VR-35/25		25			6,8						
MP123316	KCA-VR-50/25	50	25	7,7 - 8,6	10,0	6,8	90	16	4-4	2-2	3,60	25
MP123317	KCA-VR-50/35		35			8,0						
MP123318	KCA-VR-70/16	70	16	9,3 - 10,2	11,5	5,6	100	18	4-4	2-2	4,90	25
MP123319	KCA-VR-70/25		25			6,8						
MP123320	KCA-VR-70/35		35			8,0						
MP123321	KCA-VR-70/50		50			10,0						
MP123323	KCA-VR-95/35	95	35	11,0 - 12,0	13,5	8,0	105	22	4-4	2-2	8,00	25
MP123324	KCA-VR-95/50		50			10,0						
MP123325	KCA-VR-95/70		70			11,5						

* Sektorske vodiče zaokružiti pripadajućim alatima / * Sector shaped conductors must be rounded with round-forming dies

Al 25 – 300 mm²

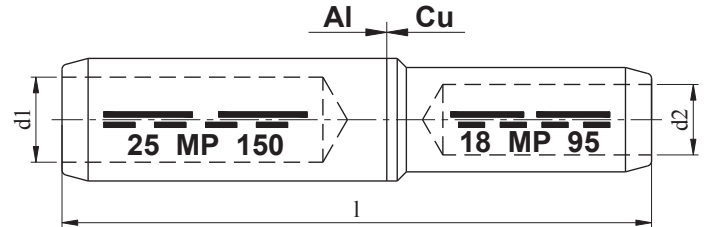
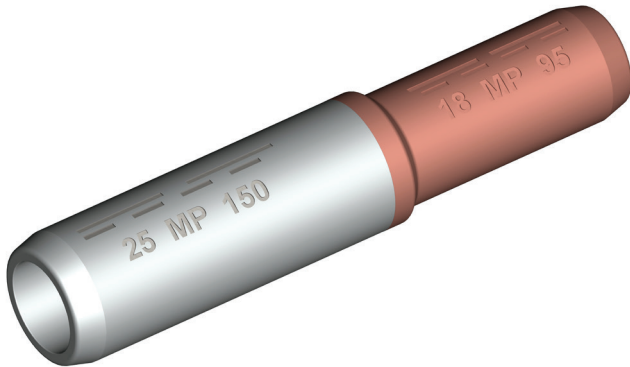
Aluminijske kabljske redukcijske spojne čahure, 10 - 35 kV
Aluminium reduction compression sleeves, 10 - 35 kV

Kat. br. Cat. No.	Tip Type	Nazivni presjek vodiča mm ² Nominal cross section mm ²		Promjer vodiča Conductor diameter Ø mm	Dimenzije mm Dimensions mm			Alat br. Tool No.	Broj prešanja No. of compressions		Masa kg Mass kg 100 kom 100 pcs	Pakiranje Package kom pcs
		A OV/SV* RM/SM*	B OV/SV* RM/SM*		d1	d2	l		meh. mech.	hidr. hydr.		
MP123327	KCA-VR-120/35		35		8,0					8,00		
MP123328	KCA-VR-120/50	120	50	12,3 - 13,5	15,0	10,0	110	22	4-4	7,80	25	
MP123329	KCA-VR-120/70		70			11,5				9,80		
MP123330	KCA-VR-120/95		95			13,5				9,10		
MP123334	KCA-VR-150/35		35			8,0				10,50		
MP123335	KCA-VR-150/50		50			10,0				10,10		
MP123336	KCA-VR-150/70	150	70	13,7 - 15,0	16,5	11,5	110	25	4-4	9,80	10	
MP123337	KCA-VR-150/95		95			13,5				9,50		
MP123338	KCA-VR-150/120		120			15,0				8,80		
MP123339	KCA-VR-185/35		35			8,0	125			13,80		
MP123340	KCA-VR-185/50		50			10,0	125			13,70		
MP123341	KCA-VR-185/70	185	70	15,3 - 16,8	18,5	11,5	125	28	5-5	13,60	10	
MP123342	KCA-VR-185/95		95			13,5	125			13,50		
MP123343	KCA-VR-185/120		120			15,0	125			13,40		
MP123344	KCA-VR-185/150		150			16,5	130			13,10		
MP123350	KCA-VR-240/120		120			15,0				18,20		
MP123351	KCA-VR-240/150	240	150	17,6 - 19,2	21,0	16,5	136	32	5-5	18,10	10	
MP123352	KCA-VR-240/185		185			18,5				17,20		
MP123357	KCA-VR-300/150		150			16,5				21,10		
MP123358	KCA-VR-300/185	300	185	19,7 - 21,6	23,5	18,5	136	34	5-5	20,10	5	
MP123359	KCA-VR-300/240		240			21,5				18,70		

* Sektorske vodiče zaokružiti pripadajućim alatima / * Sector shaped conductors must be rounded with round-forming dies

Aluminijsko-bakrene kabelske spojne čahure, 10 – 35 kV
Aluminium-copper compression sleeves, 10 – 35 kV

Al/Cu 16 – 300 mm²



- **Za mehanički neopterećene spojeve / For non-tension connections**
- **Ispitano prema: HRN EN 61238 / Tested according to: IEC 61238**
- **Materijal / Material:**
 - **Aluminij / Aluminium** **EN 573-1,3**
 - **Bakar / Copper** **EN 13600**
- **Vanjska površina: Čista / External surface: Uncoated**
- **Unutrašnjost aluminijskog dijela čahura punjena kontaktnom mašču / The aluminium part of sleeves are filled with contact grease**
- **Za aluminijsku i bakrenu užad i vodiče prema / For aluminium and copper conductors acc. to: **DIN 48201, VDE 0295, IEC 60228, EN 50182****

Kat. br. Cat. No.	Tip Type	Nazivni presjek vodiča mm ² Nominal cross section mm ²		Promjer vodiča Conductor diameter		Dimenzije mm Dimensions mm				Broj prešanja No. of compressions				Masa kg Mass kg	Pakiranje Package			
		Al		Cu		Ø mm		d1	d2	l	meh. mech.		hidr. hydr.		100 kom 100 pcs	kom pcs		
		OV/SV* RM/SM*	OJ/SJ RE/SE	OV/SV* RM/SM*	Al	Cu _{max}	Al				Cu	Al	Cu	Al			Cu	
MP124210	KCAB-V-16/10	16	25	10	4,6 - 5,3	4,2	5,4	4,5	67	12	6	3	2	-	-	1,60	25	
MP124211	KCAB-V-16/16			16	5,3	5,5	8	2,00										
MP124214	KCAB-V-25/6	25	35	6	5,6 - 6,5	3,3	6,8	3,6	67	12	6	4	2	2	1	1,60	25	
MP124215	KCAB-V-25/10			10		4,2		4,5								6		1,50
MP124216	KCAB-V-25/16			16		5,3		5,5								8		1,90
MP124217	KCAB-V-25/25			25		6,6		7,0								10		2,40
MP124220	KCAB-V-35/16	35	50	16	6,6 - 7,5	5,3	8,0	5,5	76	14	10	4	2	2	1	2,80	25	
MP124221	KCAB-V-35/25			25		6,6		7,0								10		3,10
MP124222	KCAB-V-35/35			35		7,9		8,2								12		3,40
MP124225	KCAB-V-50/16	50	70	16	7,7 - 8,6	5,3	10,0	5,5	76	16	10	4	2	2	1	3,80	25	
MP124226	KCAB-V-50/25			25		6,6		7,0								10		4,10
MP124227	KCAB-V-50/35			35		7,9		8,2								12		4,40
MP124228	KCAB-V-50/50			50		9,1		10,0								14		5,00
MP124232	KCAB-V-70/16	70	95	16	9,3 - 10,5	5,3	11,5	5,5	86	18	12	4	2	2	1	7,80	20	
MP124233	KCAB-V-70/25			25		6,6		7,0								10		8,00
MP124234	KCAB-V-70/35			35		7,9		8,2								12		8,20
MP124235	KCAB-V-70/50			50		9,1		10,0								14		12,20
MP124236	KCAB-V-70/70			70		11,0		11,5								16		12,90

* Sektorske vodiče zaokružiti pripadajućim alatima / * Sector shaped conductors must be rounded with round-forming dies

Al/Cu 16 – 300 mm²

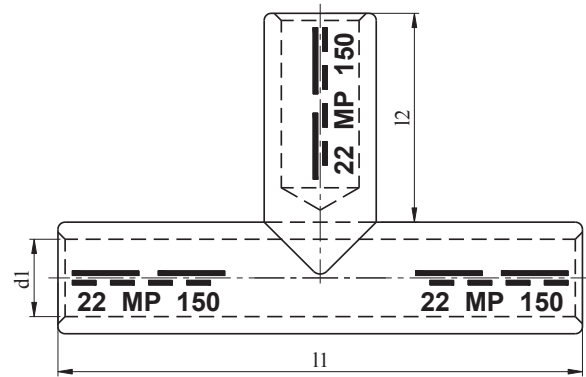
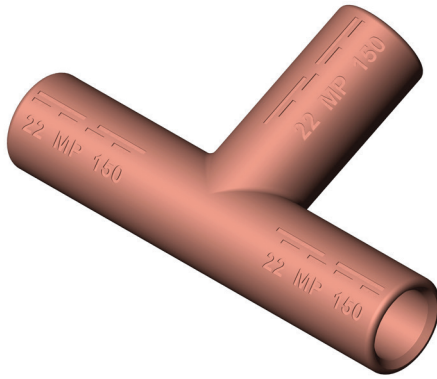
Aluminijsko-bakrene kabelske spojne čahure, 10 - 35 kV
Aluminium-copper compression sleeves, 10 - 35 kV

Kat. br. Cat. No.	Tip Type	Nazivni presjek vodiča mm ² Nominal cross section mm ²			Promjer vodiča Conductor diameter		Dimenzije mm Dimensions mm			Broj prešanja No. of compressions				Masa kg Mass kg	Pakiranje Package
		Al		Cu	Ø mm		d1	d2	l	meh. mech.		hidr. hydr.		100 kom 100 pcs	kom pcs
		OV/SV* RM/SM*	OJ/SJ RE/SE	OV/SV* RM/SM*	Al	Cu _{max}				Al	Cu	Al	Cu		
MP124240	KCAB-V-95/25			25		6,6	7,0	91						11,90	
MP124241	KCAB-V-95/35			35		7,9	8,2	91				2		12,20	
MP124242	KCAB-V-95/50	95	120	50	11,0 - 12,0	9,1	13,5	10,0	91	22	14	4	2	13,90	20
MP124243	KCAB-V-95/70			70		11,0		11,5	98			3		14,10	
MP124244	KCAB-V-95/95			95		12,9		13,5	107			4	2	15,90	
MP124250	KCAB-V-120/25			25		6,6	7,0	91				2		12,70	
MP124251	KCAB-V-120/35			35		7,9	8,2	91					1	13,10	
MP124252	KCAB-V-120/50	120	150	50	12,3 - 13,5	9,1	14,7	10,0	98	22	14	4	3	14,20	20
MP124253	KCAB-V-120/70			70		11,0		11,5	98				2	14,40	
MP124254	KCAB-V-120/95			95		12,9		13,5	108			4		16,20	
MP124255	KCAB-V-120/120			120		14,5		15,5	108				2	16,40	
MP124266	KCAB-V-150/10			10		4,2	4,5	107						15,00	
MP124257	KCAB-V-150/16			16		5,3	5,5	107				2		15,00	
MP124258	KCAB-V-150/25			25		6,6	7,0	107					1	15,00	
MP124259	KCAB-V-150/35			35		7,9	8,2	107						15,00	
MP124260	KCAB-V-150/50	150	185	50	13,7 - 15,0	9,1	16,3	10,0	107	25	14	4	3	15,00	15
MP124261	KCAB-V-150/70			70		11,0		11,5	107				2	15,00	
MP124262	KCAB-V-150/95			95		12,9		13,5	107					16,60	
MP124263	KCAB-V-150/120			120		14,5		15,5	115			4	2	16,70	
MP124264	KCAB-V-150/150			150		16,2		17,0	115					19,60	
MP124265	KCAB-V-150/185			185		18,0		19,0	119					19,60	
MP124267	KCAB-V-185/25			25		6,6	7,0	107				2		11,70	
MP124268	KCAB-V-185/35			35		7,9	8,2	107					1	12,00	
MP124269	KCAB-V-185/50			50		9,1	10,0	107				3		12,30	
MP124270	KCAB-V-185/70	185	240	70	15,3 - 16,8	11,0	18,3	11,5	107		16	6	3	12,70	
MP124271	KCAB-V-185/95			95		12,9		13,5	115	28	18		3	14,10	15
MP124272	KCAB-V-185/120			120		14,5		15,5	115			4	2	15,50	
MP124273	KCAB-V-185/150			150		16,2		17,0	115					16,80	
MP124274	KCAB-V-185/185			185		18,0		19,0	115					18,00	
MP124277	KCAB-V-240/50			50		9,1	10,0	128					1	20,00	
MP124278	KCAB-V-240/70			70		11,0	11,5	128				4		22,00	
MP124279	KCAB-V-240/95			95		12,9	13,5	128						25,00	
MP124280	KCAB-V-240/120	240	300	120	17,6 - 19,2	14,5	21,0	15,5	128	32	20	8	3	25,50	15
MP124281	KCAB-V-240/150			150		16,2		17,0	133				2	26,50	
MP124282	KCAB-V-240/185			185		18,0	19,0	133				5		27,00	
MP124283	KCAB-V-240/240			240		20,6	21,5	133						28,50	
MP124286	KCAB-V-300/150			150		16,2	17,0	130						26,50	
MP124287	KCAB-V-300/185	300	-	185	19,7 - 21,6	18,0	23,5	19,0	132	34	25	8	5	27,00	10
MP124288	KCAB-V-300/240			240		20,6	21,5	132					2	28,50	
MP124289	KCAB-V-300/300			300		23,1	24,5	145						28,50	

* Sektorske vodiče zaokružiti pripadajućim alatima / * Sector shaped conductors must be rounded with round-forming dies

Bakrene T-spojnice
Copper T-connectors

Cu 25 – 630 mm²

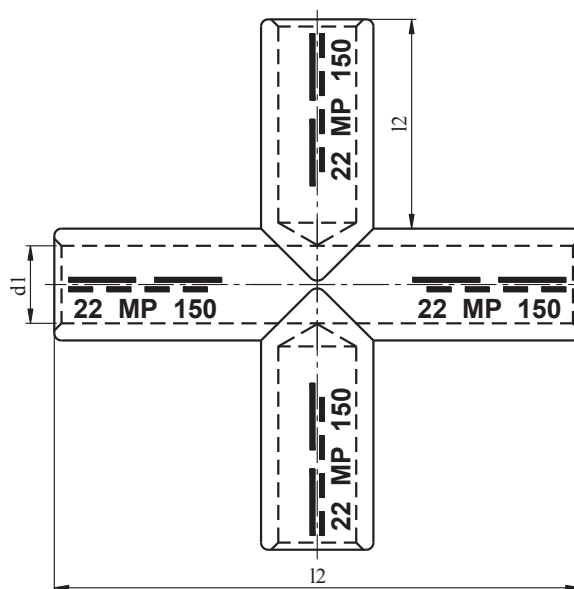
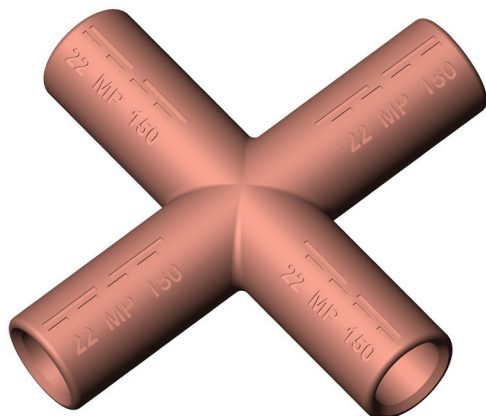


- **Za mehanički neopterećene spojeve / For non-tension connections**
- **Ispitano prema: HRN EN 61238 / Tested according to: IEC 61238**
- **Materijal: Bakar / Material: Copper EN 13600**
- **Vanjska površina: Galvanski pokositrena / External surface: Tin-plated**
- **Za bakrenu užad i vodiče prema / For copper conductors acc. to: DIN 48201, VDE 0295, IEC 60288**

Kat. br. Cat. No.	Tip Type	Nazivni presjek vodiča mm ² Nominal cross section mm ²	Promjer vodiča Conductor diameter	Dimenzije mm Dimensions mm			Alat br. Tool No.	Broj prešanja No. of compressions		Masa kg Mass kg	Pakiranje Package
		OV RM	Ø mm	d1	l2	l1		meh. mech.	hidr. hydr.	100 kom 100 pcs	kom pcs
MP142008	TSB-25/25	25	5,7 - 6,6	7,0	23	55	10	2	1	3,00	25
MP142010	TSB-35/35	35	6,7 - 7,9	8,2	30	70	12	2	1	6,00	25
MP142012	TSB-50/50	50	7,8 - 9,1	10,0	34	80	14	3	1	8,00	25
MP142014	TSB-70/70	70	9,4 - 11,0	11,5	35	85	16	3	1	12,00	25
MP142016	TSB-95/95	95	11,0 - 12,9	13,5	36	90	18	4	2	14,00	25
MP142018	TSB-120/120	120	12,4 - 14,5	15,5	38	95	20	4	2	15,00	25
MP142020	TSB-150/150	150	13,8 - 16,2	17,0	44	110	22	4	2	19,00	25
MP142022	TSB-185/185	185	15,4 - 18,0	19,0	45	115	25	4	2	26,00	25
MP142024	TSB-240/240	240	17,6 - 20,6	21,5	46	120	28	-	2	32,00	25
MP142026	TSB-300/300	300	19,8 - 23,1	24,5	50	130	32	-	2	55,00	10
MP142028	TSB-400/400	400	22,2 - 26,1	27,5	75	185	38	-	3	140,00	10
MP142030	TSB-500/500	500	25,7 - 29,2	31,0	80	200	42	-	3	165,00	10
MP142031	TSB-630/630	630	29,3 - 33,2	34,5	80	200	44	-	3	170,00	10

Cu 25 – 240 mm²

Bakrene X-spojnice
Copper X-connectors

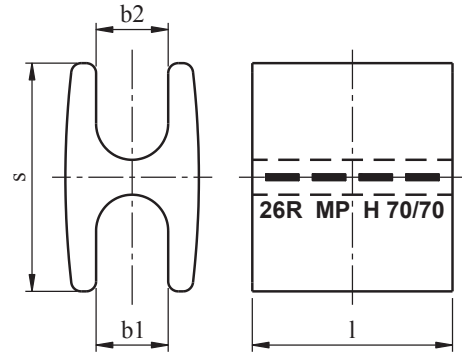
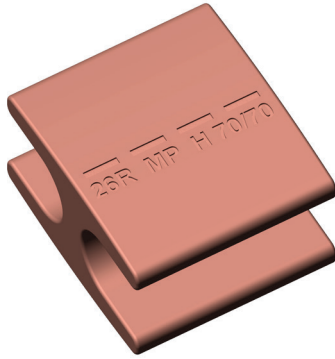


- Za mehanički neopterećene spojeve / For non-tension connections
- Ispitano prema: HRN EN 61238 / Tested according to: IEC 61238
- Materijal: Bakar / Material: Copper EN 13600
- Vanjska površina: Galvanski pokositrena / External surface: Tin-plated
- Za bakrenu užad i vodiče prema / For copper conductors acc. to: **DIN 48201, VDE 0295, IEC 60288**

Kat. br. Cat. No.	Tip Type	Nazivni presjek vodiča mm ² Nominal cross section mm ²	Promjer vodiča Conductor diameter	Dimenzije mm Dimensions mm			Alat br. Tool No.	Broj prešanja No. of compressions		Masa kg Mass kg	Pakiranje Package
		OV RM	Ø mm	d1	l2	l1		meh. mech.	hydr. hydr.		
MP142008	XSB-25/25	25	5,7 - 6,6	7,0	23	55	10	2	1	5,80	25
MP142010	XSB-35/35	35	6,7 - 7,9	8,2	30	70	12	2	1	7,20	25
MP142012	XSB-50/50	50	7,8 - 9,1	10,0	34	80	14	3	1	10,80	25
MP142014	XSB-70/70	70	9,4 - 11,0	11,5	35	85	16	3	1	14,10	25
MP142016	XSB-95/95	95	11,0 - 12,9	13,5	36	90	18	4	2	19,60	25
MP142018	XSB-120/120	120	12,4 - 14,5	15,5	38	95	20	4	2	28,50	25
MP142020	XSB-150/150	150	13,8 - 16,2	17,0	44	110	22	4	2	35,50	25
MP142022	XSB-185/185	185	15,4 - 18,0	19,0	45	115	25	4	2	40,00	25
MP142024	XSB-240/240	240	17,6 - 20,6	21,5	46	120	28	-	2	51,00	25

Bakrene kompresijske odvojne stezaljke, H-forma
Copper compression tap connectors, H-shape

Cu 35 – 95 mm²



- **Za mehanički neopterećene spojeve / For mechanical non-tension connections**
- **Materijal: Bakar / Material: Copper** **EN 13600**
- **Vanjska površina: Čista / External surface: Uncoated**
- **Za bakrenu užad prema / For copper conductors acc. to:** **DIN 48201, VDE 0295, IEC 60228**

Kat. br. Cat. No.	Tip Type	Nazivni presjek vodiča mm ² Nominal cross section mm ²		s	Dimenzije mm Dimensions mm			Alat br. Tool No.	Broj prešanja No. of compressions		Masa kg Mass kg 100 kom 100 pcs	Pakiranje Package kom pcs
		Glavni Main	Odvojni Tap		b1	b2	l		meh. mech.	hidr. hydr.		
MP141010	OSH-35/35	35	35	24,5	7,7	7,7	25,0	21 PO	3	1	5,00	50
MP141012	OSH-50/50	50	50	30,0	9,2	9,2	30,0	22 R	4	2	5,90	50
MP141013	OSH-50/35	50	35	30,0	9,2	7,7	30,0	22 R	4	2	6,10	25
MP141014	OSH-70/70	70	70	33,0	10,8	10,8	30,0	26 R	4	2	6,60	50
MP141015	OSH-70/50	70	50	33,0	10,8	9,2	30,0	26 R	4	2	7,10	25
MP141016	OSH-95/95	95	95	40,0	13,0	13,0	30,0	30 R	4	2	10,00	25
MP141015	OSH-70/50	70	50	33,0	10,8	9,2	30,0	26 R	4	2	7,10	25
MP141016	OSH-95/95	95	95	40,0	13,0	13,0	30,0	30 R	4	2	10,00	25
MP141017	OSH-95/70*	95	70	40,0	13,0	11,0	30,0	30 R	4	2	10,70	25
MP141018	OSH-95/50*	95	50	40,0	13,0	8,0	30,0	30 R	4	2	11,70	25

* s Cu uloškom / with Cu insert

Cu 10 – 500 mm²

Dimenzije, mehanička i električna svojstva vodiča
Dimensions, mechanical and electrical properties of conductors

■ Za bakrene višezične vodiče prema / For copper stranded conductors acc. to:

DIN 48201 – dio 1 / part 1, EN 50182

Nazivni presjek <i>Rated cross section</i>	Računski presjek <i>Specified cross section</i>	Broj žica u užetu <i>Number of wires</i>	Promjer žice <i>Wire diameter</i>	Promjer užeta <i>Conductor diameter</i>	Uzdužna masa cca <i>Weight approx.</i>	Računska sila kidanja <i>Computational breaking</i>	Dozvoljena trajna struja <i>Perman. current carry. cap.</i>
mm ²	mm ²	n	mm	mm	kg/km	kN	A
10	10,02	7	1,35	4,10	90	4,02	90
16	15,89	7	1,70	5,10	143	6,37	125
25	24,25	7	2,10	6,30	218	9,72	160
35	34,36	7	2,50	7,50	310	13,77	200
50	49,48	7	3,00	9,00	446	19,84	250
50	48,35	19	1,80	9,00	437	19,38	250
70	65,81	19	2,10	10,50	596	26,38	310
95	93,27	19	2,50	12,50	845	37,39	380
120	116,99	19	2,80	14,00	1060	46,90	440
150	147,11	37	2,25	15,80	1337	58,98	510
185	181,62	37	2,50	17,50	1649	72,81	858
240	242,54	61	2,25	20,30	2209	97,23	700
300	299,43	61	2,50	22,50	2725	120,04	800
400	400,14	61	2,89	26,00	3640	160,42	960
500	499,83	61	3,23	29,10	4545	200,38	1110

Al 16 – 1000 mm²

Dimenzije, mehanička i električna svojstva vodiča
Dimensions, mechanical and electrical properties of conductors

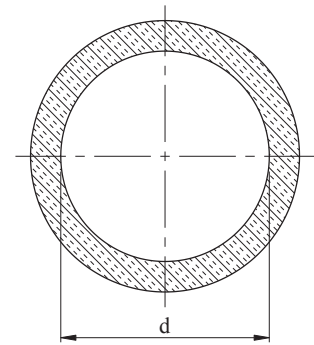
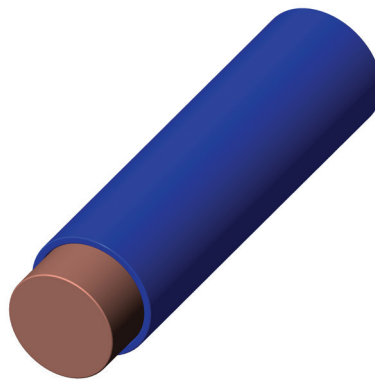
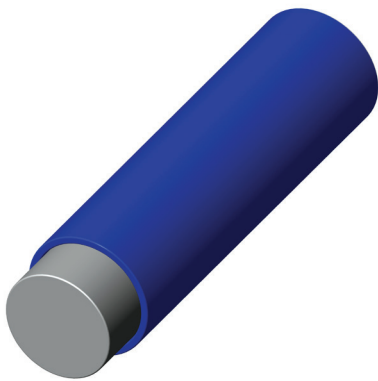
■ Za aluminijske višezične vodiče prema / For aluminium stranded conductors acc. to:

DIN 48201 – dio 5 / part 5, EN 50182

Nazivni presjek <i>Rated cross section</i>	Računski presjek <i>Specified cross section</i>	Broj žica u užetu <i>Number of wires</i>	Promjer žice <i>Wire diameter</i>	Promjer užeta <i>Conductor diameter</i>	Uzdužna masa cca <i>Weight approx.</i>	Računska sila kidanja <i>Computational breaking</i>	Dozvoljena trajna struja <i>Perman. current carry. cap.</i>
mm ²	mm ²	n	mm	mm	kg/km	kN	A
16	15,89	7	1,70	5,10	43	2,84	110
25	24,25	7	2,10	6,30	66	4,17	145
35	34,36	7	2,50	7,50	94	5,78	180
50	49,48	7	3,00	9,00	135	7,94	225
50	48,35	19	1,80	9,00	133	8,45	225
70	65,81	19	2,10	10,50	181	11,32	270
95	93,27	19	2,50	12,50	256	15,68	340
120	116,99	19	2,80	14,00	322	18,78	390
150	147,11	37	2,25	15,80	406	25,30	455
185	181,62	37	2,50	17,50	500	30,54	520
240	242,54	61	2,25	20,30	670	39,51	625
300	299,43	61	2,50	22,50	827	47,70	710
400	400,14	61	2,89	26,00	1104	60,86	855
500	499,83	61	3,23	29,10	1379	74,67	990
625	626,20	91	2,96	32,60	1732	95,25	1140
800	802,09	91	3,35	36,90	2218	118,39	1340
1000	999,71	91	3,74	41,10	2767	145,76	1540

Dimenzije jednožičnih okruglih aluminijevih i bakrenih vodiča
Dimensions of aluminium and copper round solid conductors

Al/Cu 6 – 300 mm²



■ Okrugli jednožični vodiči (klasa 1) prema / Round solid conductors (class 1) acc. to:

VDE 0295, EN 60228 (class 1)

Okrugli jednožični vodiči iz: / Round solid conductors from:

Nazivni presjek vodiča Conductor cross section	Bakra / Copper		Aluminija / Aluminium	
	d (min) ³ mm	d (max) mm	d (min) mm	d (max) mm
6	-	2,9	-	-
10	-	3,7	-	-
16	-	4,6	-	-
25	-	5,7 ²	5,2 ¹	5,7
35	-	6,7 ²	6,1 ¹	6,7
50	-	7,8 ²	7,2 ¹	7,8
70	-	9,4 ²	8,7 ¹	9,4
95	-	11,0 ²	10,3 ¹	11,0
120	-	12,4 ²	11,6 ¹	12,4
150	-	13,8 ²	12,9 ¹	13,8
185	-	-	14,5	15,4
240	-	-	16,7	17,6
300	-	-	18,8	19,8

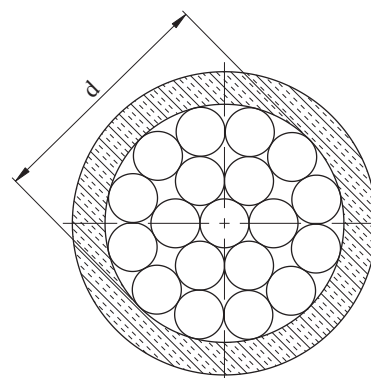
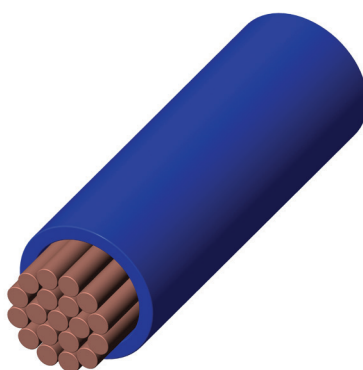
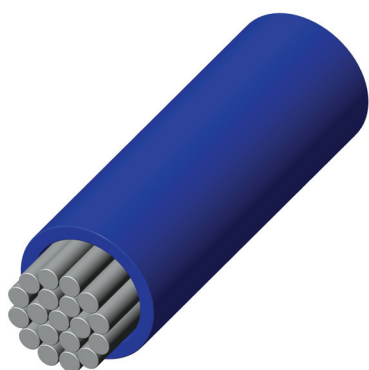
¹ Samo za aluminijske okrugle vodiče / ¹ Only for aluminium round conductors

² Samo za bakrene okrugle vodiče / ² Only for copper round conductors

³ Minimalni promjer za okrugle bakrene vodiče nije definiran / ³ Minimal diameter for round copper conductor is not defined

Al/Cu 6 – 500 mm²

Dimenzije višezičnih okruglih aluminijskih i bakrenih vodiča
Dimensions of aluminium and copper round stranded conductors



■ Okrugli višezični vodiči (klasa 2) prema / Round stranded conductors (class 2) acc. to:

VDE 0295, EN 60228 (class 2)

Okrugli višezični vodiči iz / Round stranded conductors from:

Bakra / Copper

Aluminija / Aluminium

nekompaktirani
non-compacted

kompaktirani / compacted

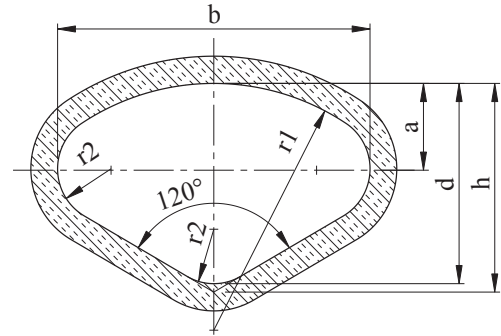
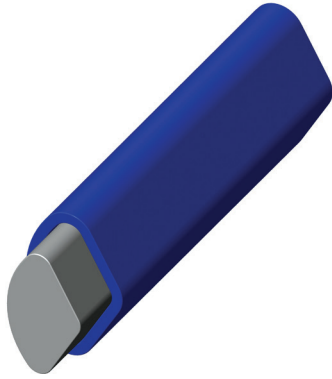
kompaktirani / compacted

Nazivni presjek vodiča
Conductor cross section

mm ²	d mm	Bakra / Copper		Aluminija / Aluminium	
		d (min) mm	d (max) mm	d (min) mm	d (max) mm
6	3,3	-	-	-	-
10	4,2	3,6	4,0	3,6	4,0
16	5,3	4,6	5,2	4,6	5,2
25	6,6	5,6	6,5	5,6	6,5
35	7,9	6,6	7,5	6,6	7,5
50	9,1	7,7	8,6	7,7	8,6
70	11,0	9,3	10,2	9,3	10,2
95	12,9	11,0	12,0	11,0	12,0
120	14,5	12,5	13,5	12,5	13,5
150	16,2	13,9	15,0	13,9	15,0
185	18,0	15,5	16,8	15,5	16,8
240	20,6	17,8	19,2	17,8	19,2
300	23,1	20,0	21,6	20,0	21,6
400	26,1	22,9	24,6	22,9	24,6
500	29,2	25,7	27,6	25,7	27,6

Dimenzije aluminijskih jednožičnih sektorskih vodiča
Dimensions of aluminium sector solid shaped conductors

Al 50 – 240 mm²



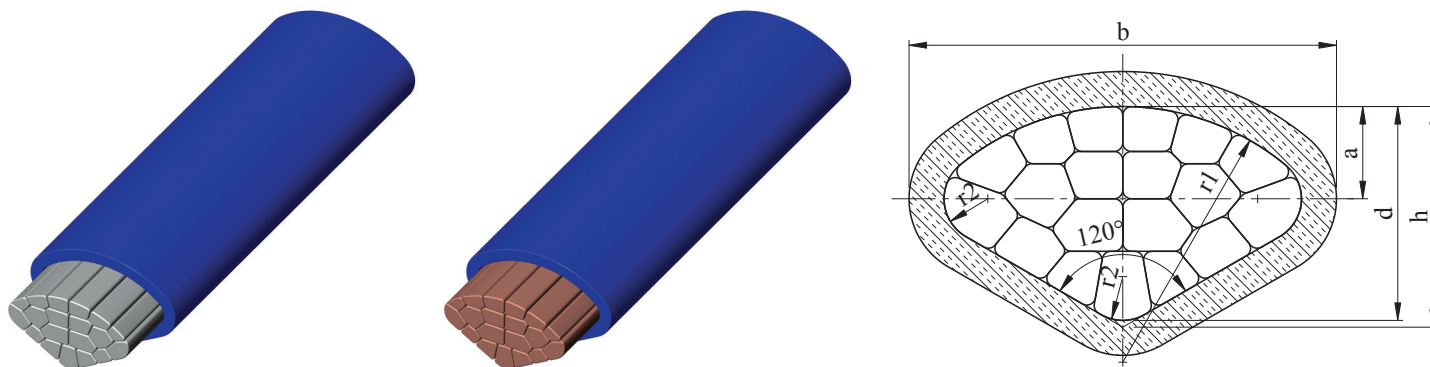
■ **Sektorski jednožični vodiči prema / Sector solid shaped conductors acc. to:**

VDE 0295 (class 1)

Nazivni presjek vodiča Conductor cross section	Približna vrijednost Approx. value	Nazivna vrijednost Nominal value	Dozvoljeno odstupanje Tolerable deviation	Nazivna vrijednost Nominal value	Dozvoljeno odstupanje Tolerable deviation	Približna vrijednost Approx. value	Približna vrijednost Approx. value	Približna vrijednost Approx. value
mm ²	h	d		b		r1	r2	a
	mm	mm	mm	mm	mm	mm	mm	mm
Bazni kut = 120° / Basic angle = 120°								
50	6,50	6,20	± 0,50	9,80	± 0,60	8,10	1,80	2,60
70	8,10	7,70	± 0,50	10,90	± 0,60	9,80	2,80	3,30
95	9,30	8,90	± 0,50	13,50	± 0,60	11,20	2,80	3,80
120	10,50	10,00	± 0,60	15,50	± 0,60	12,30	3,00	4,30
150	11,50	11,00	± 0,60	17,50	± 0,60	13,60	3,00	4,70
185	12,80	12,30	± 0,60	20,10	± 0,70	15,10	3,00	5,30
240	14,50	14,00	± 0,60	23,40	± 0,70	17,00	3,00	6,00
Bazni kut = 90° / Basic angle = 90°								
50	7,60	6,90	± 0,50	9,10	± 0,50	9,60	1,80	2,30
70	9,50	8,30	± 0,50	10,40	± 0,60	11,50	2,80	3,10
95	10,90	9,70	± 0,50	12,70	± 0,60	13,30	2,80	3,40
120	12,30	11,10	± 0,60	14,50	± 0,60	14,50	3,00	3,80
150	13,40	12,20	± 0,60	16,20	± 0,60	15,90	3,00	4,10
185	15,00	13,80	± 0,60	18,70	± 0,60	17,80	3,00	4,40
240	17,00	15,80	± 0,60	21,90	± 0,60	20,10	3,00	4,90

Al 35 – 400 mm²

Dimenzije aluminijjskih i bakrenih višezičnih sektorskih vodiča
Dimensions of aluminium and copper stranded sector shaped conductors



■ Sektorski višezični kompaktirani vodiči prema / Stranded compacted sector shaped conductors acc. to: **VDE 0295 (class 2)**

Nazivni presjek vodiča Conductor cross section	Približna vrijednost Approx. value	Nazivna vrijednost Nominal value	Dozvoljeno odstupanje Tolerable deviation	Nazivna vrijednost Nominal value	Približna vrijednost Approx. value	Približna vrijednost Approx. value	Približna vrijednost Approx. value
mm ²	h mm	d mm	mm	b mm	r1 mm	r2 mm	a mm
Bazni kut = 120° / Basic angle = 120°							
35 ¹	6,10	5,90	± 0,70	9,50	7,50	1,50	2,50
50	7,10	6,80	± 0,70	10,90	8,70	1,80	2,90
70	8,60	8,20	± 0,70	13,10	10,30	2,30	3,50
95	10,00	9,60	± 0,70	15,60	12,00	2,40	4,10
120	11,20	10,80	± 0,80	17,70	13,00	2,40	4,70
150	12,60	12,20	± 0,80	20,30	14,60	2,50	5,30
185	14,00	13,60	± 0,80	23,10	16,00	2,50	5,90
240	16,00	15,60	± 0,80	26,70	18,20	2,60	6,80
300	17,80	17,40	± 0,80	29,50	20,50	2,90	7,60
400	20,50	20,10	± 0,90	34,40	22,80	2,90	8,90
Bazni kut = 90° / Basic angle = 90°							
35 ¹	7,20	6,50	± 0,70	8,90	9,00	1,60	2,10
50	8,30	7,60	± 0,70	10,40	10,30	1,70	2,40
70	10,00	9,00	± 0,70	12,10	12,30	2,30	3,00
95	11,70	10,70	± 0,80	14,70	14,10	2,30	3,40
120	13,20	12,10	± 0,80	16,40	15,50	2,70	3,90
150	14,60	13,50	± 0,80	18,40	17,20	2,70	4,30
185	16,20	15,10	± 0,80	20,80	19,00	2,70	4,70
240	18,60	17,40	± 0,80	24,30	21,60	2,80	5,30
300	20,60	19,40	± 0,80	27,30	24,00	2,80	5,80
400	24,00	22,80	± 0,90	33,10	26,7	2,80	6,80

¹ Samo za bakrene vodiče / ¹ Only for copper conductors

Momenti pritezanja vijaka u Nm
Permissible torque in Nm
5,0 – 185,0 Nm

Vijak ¹ Bolt ¹	Otvor ključa mm Spanner size mm	Klase čvrstoće vijaka / Strength grades of bolts				
		5,6 - 5,8	8,8	A2/A4 F60	A2/A4 F80	Bronca F60
M6	10	5,0	9,0	8,5	9,0	7,7
(M7)	11	-	15,0	-	-	13,0
M8	13	10,0	22,0	20,0	22,0	19,0
M10	17	19,0	44,0	38,0	44,0	37,0
M12	19	33,0	-	65,0	75,0	64,0
(M14)	22	52,0	-	95,0	120,0	100,0
M16	24	80,0	-	130,0	185,0	-

¹ Ujedno vanjski promjer vijaka u mm / ¹ Same as outer bolt diameter in mm

Pretvorba angloameričkih mjernih jedinica u metričke i obrnuto
Coverision of English / American Tehnical Measures into Metric Measures and Vice Versa
SI ↔ ANSI
a) Jedinice za duljinu

1 mil	= 0,0254 mm
1 inch	= 25,4 mm
1 foot	= 0,3048 mm
1 yard	= 0,914 m
1 mile	= 1,609 km

a) Linear measures

1 mm	= 39 mils
1 mm	= 0,039 inches (Zoll)
1 m	= 3,281 feet
1 m	= 1,084 yards
1 km	= 0,621 miles

b) Jedinice za površinu

1 sq. Inch	= 645,16 mm ²
1 sq. Foot	= 0,0929 m ²
1 sq. Yard	= 0,8361 ²
1 acre	= 0,4047 ha
1 sq. m	= 2,59 km ²

b) Square measure

1 mm ²	= 0,00155 sq.in.
1 m ²	= 10,765 sq.ft.
1 m ²	= 1,196 sq.yd.

c) Jedinica za masu

1 grain	= 0,059 g
1 ounce	= 28,349 g
1 pound (lb)	= 0,454 kg
1 Eng.ton	= 1,016 t
1 Americ.ton	= 0,907 t

c) Measures of mass

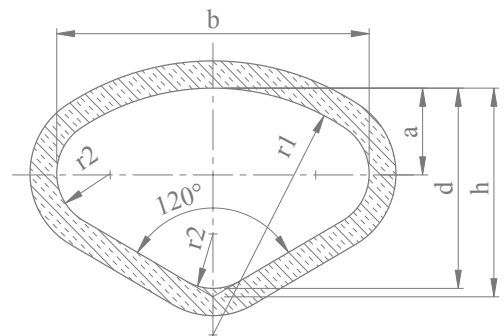
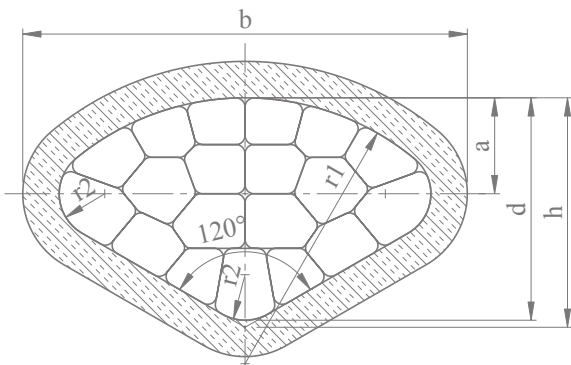
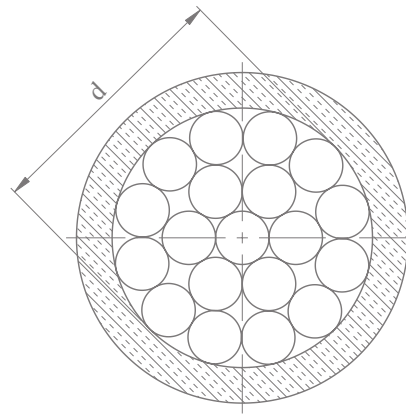
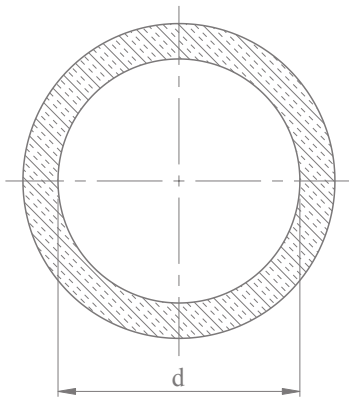
1 g	= 16,96 grains (gr)
1 g	= 0,0353 ounces (oz)
1 kg	= 2,205 pounds (lbs)
1 kg	= 35,274 ounces (oz)

d) Jedinice za spec. otpor

1 mickro ohm - inch	= 0,0254 x 10 ⁻⁶ Ωm
1 Ohm - mil/ff	= 1,662 x 10 ⁻³ Ωmm ² /m

d) Specific resistance measures

1 Ωmm ² /m	= 6017 Ωm mil/ft
1 Ω m	= 3,937 μΩin



Molimo vas da eventualne primjedbe, sugestije ili nadopune dostavite u METAL PRODUCT d.o.o.

Svu ambalažu i otpadni materijal odložite na predviđeno mjesto za tu namjenu.

Should you wish to give any suggestions or comments, please send them to METAL PRODUCT d.o.o.

Please place the packaging and all of waste material in the appropriate depot for that purpose.



Ovaj crtež i sve ovdje navedene informacije vlasništvo su firme METAL PRODUCT d.o.o., te ih treba smatrati tajnim i povjerljivim. Zabranjeno je njihovo objavljivanje, umnožavanje, priopćavanje ili upotreba u bilo koju drugu svrhu, a bez izričitog pismenog odobrenja od strane METAL PRODUCT d.o.o.

Molimo vas da eventualne primjedbe, sugestije ili nadopune dostavite u Metal Product.

Svu ambalažu i otpadni materijal poslije završenih radova odložite u za predviđeno mjesto.

If you want to give any suggestions on this catalogue, please send them to Metal Product.

Please place the packaging material on appropriate depo.



SVE OVDJE NAVEDENE INFORMACIJE VLASNIŠTVO SU FIRME METAL PRODUCT d.o.o. TE IH TREBA SMATRATI TAJNIM I POVJERLJIVIM. ZABRANJENO JE NJIHOVO OBJAVLJIVANJE, UMNOŽAVANJE, PRIOPĆAVANJE ILI UPORABA U BILO KOJU DRUGU SVRHU, A BEZ IZRIČITOG PISMENOG ODOBRENJA OD STRANE METAL PRODUCT-a.

*ALL INFORMATION PROVIDED HERE ARE THE PROPERTY OF METAL PRODUCT d.o.o.
AND ARE TO BE HELD IN TRUST AND CONFIDENCE.
PUBLICATION, DUPLICATION, DISCLOSURE OR USE FOR ANY OTHER PURPOSE NOT EXPRESSLY
AUTHORISED IN WRITING BY METAL PRODUCT IS PROHIBITED.*

OSTALI KATALOZI

- 3 Spojna i ovesna oprema za nn nadzemne mreže s izoliranim vodičima u snopu
- 4 Rastavljači i rastavne sklopke za vanjsku montažu
- 6 Oprema za neizolirane nadzemne elektroenergetske mreže 10, 20 i 35 kV
- 6.1 Izolatorski lanci do 35 kV
- 8 Kabelski pribor za energetske mreže napona do 1 kV

OTHER CATALOGS

- 3 Aerial Bundle Conductor Accessories
- 4 Pole Mounted Switch Disconnectors
- 6 Equipment for uninsulated overhead power networks
- 6.1 Insulator strings up to 35 kV
- 8 Cable Accessories for Power Networks up to 1 kV



MP METAL PRODUCT®

10020 Zagreb, Đačka 70 - Odra, Croatia
Tel: +385 (01) 6379 555 • Fax: +385 (01) 6379 550
info@metal-product.hr • www.metal-product.hr

utemeljeno
1967